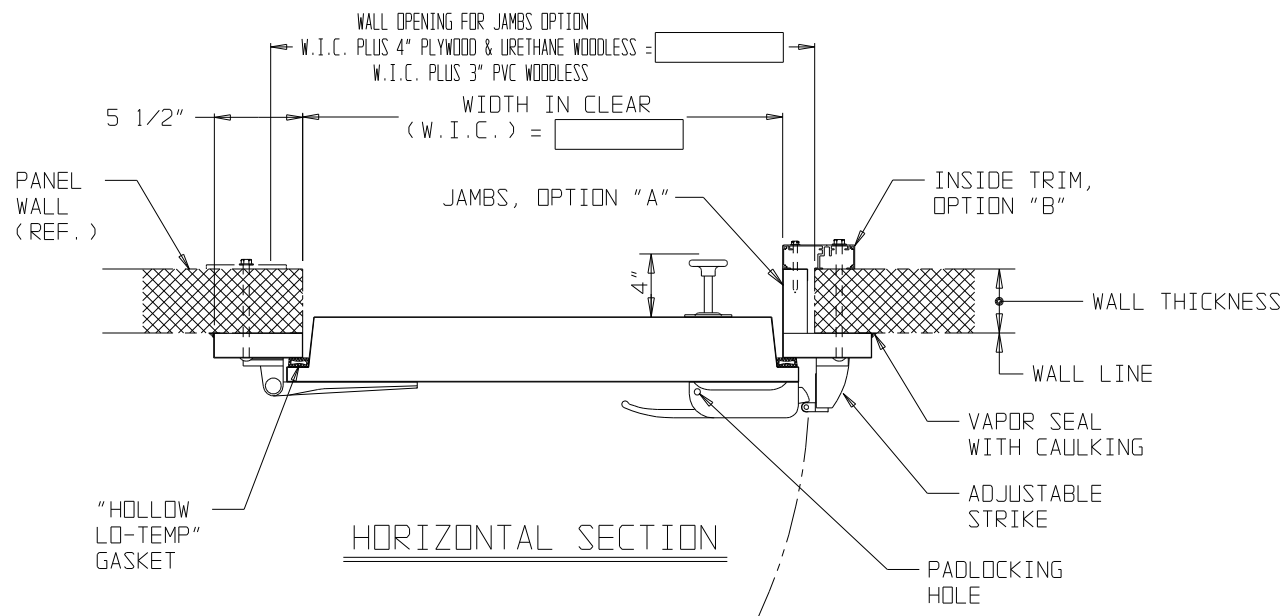
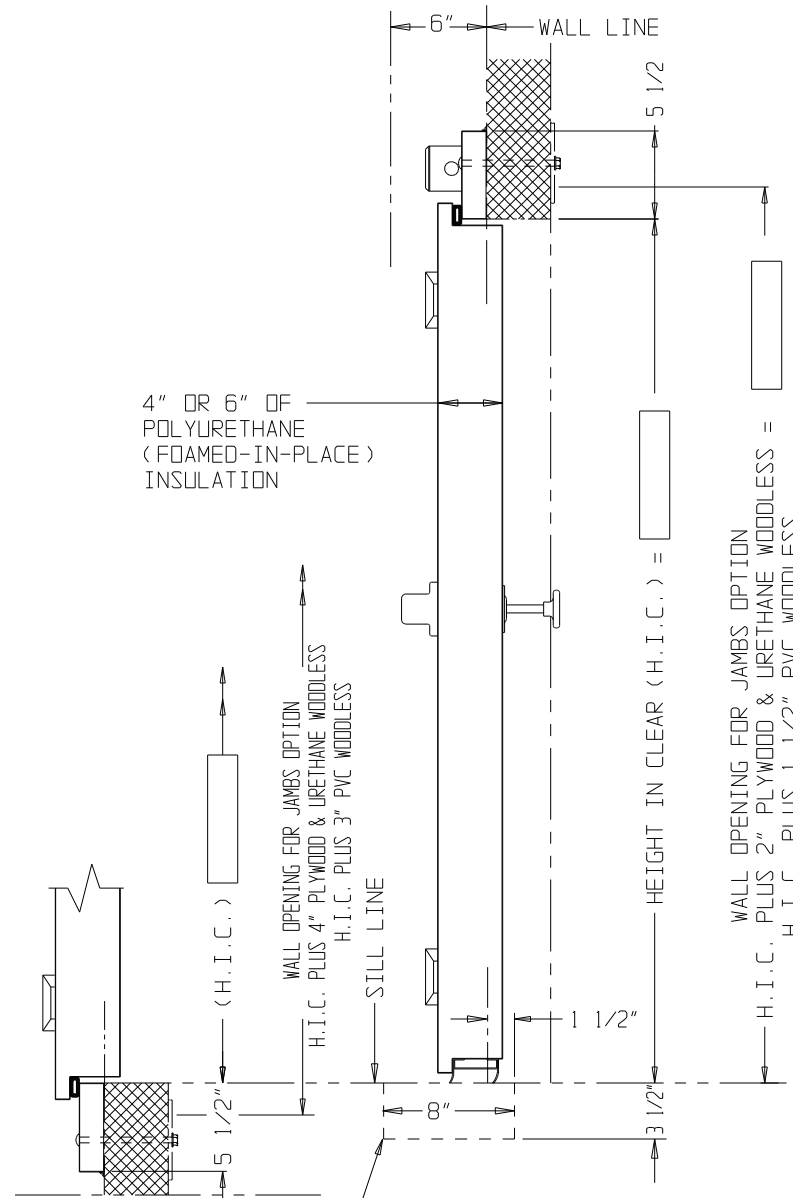


**FRONT ELEVATION**

LEFT HAND SWING SHOWN - RIGHT HAND OPPOSITE  
FREEZER DOOR SHOWN - COOLER DOOR SIMILAR



**HORIZONTAL SECTION**



**VERTICAL SECTION (HIGH SILL)**

**VERTICAL SECTION (FLUSH SILL)**

DOOR NUMBER	QUANTITY	SIZE IN CLEAR		SWING		INSULATION		TEMPERATURE CONDITIONS	
		W.I.C.	H.I.C.	L.H.	R.H.	4"	6"	FRONT	BACK

**CAUTION**

- NOTE-1. DO NOT SCALE DIMENSIONS.
- NOTE-2. DO NOT SCALE BUCKS. BUCK SIZE AND DESIGN BY OTHERS, GOVERNED BY DOOR SIZE, WALL CONSTRUCTION AND CEILING HEIGHT.
- NOTE-3. GREATER CLEARANCE MAY BE REQUIRED AT SIDES AND/OR HEAD BY CERTAIN JOB CONDITIONS SUCH AS HIGHER SILL BEVEL OR OBSTRUCTIONS NECESSITATING COCKING OR TILTING FRAME INTO OPENING, ETC.

CUSTOMER:

SCALE(S) NONE  
DATE DRAWN  
CHECKED APPROVED  
JAMISON DOOR COMPANY  
P. O. BOX 70  
HAGERSTOWN, MARYLAND 21741

JOB NAME  
TITLE PLYFOAM II INFITTING SWINGING DOOR

S/O

DATE 10/24/16  
BY MRE  
SUBJECT WOODLESS JMB TRM  
DATE 10/5/10  
BY CS  
SUBJECT STADDED HIGH HEAT OPT.  
DATE 9/3/10  
BY ME  
SUBJECT WREMOVED "AND EDGES" FROM KICKPLATE  
DATE 4/14/10  
BY ME  
SUBJECT UPDATED "R" VALUES  
NO. H4407286D

**NOTES:**

- DOOR PANEL "JAMIFOAM" POLYURETHANE INSULATED.  
R32 @ 20\*F 4" INSULATED  
R48 @ 20\*F 6" INSULATED  
A. COOLER DOOR 4" STANDARD   
B. FREEZER DOOR 4" STANDARD   
C. FREEZER DOOR 6" OPTIONAL
- SILL TYPE:  
A. FLUSH SILL   
B. HIGH SILL
- "FROSTOP" LOCATION FOR FREEZER DOORS  
A. FLUSH SILL - 3 SIDES OF FRAME AND BOTTOM OF DOOR. (STANDARD)   
3 SIDES OF FRAME AND CHANNEL SILL. (OPTIONAL)   
B. HIGH SILL - 4 SIDES OF FRAME.   
C. BLAST FREEZER (FLUSH SILL) - 3 SIDES OF FRAME, CHANNEL SILL AND BOTTOM OF DOOR.   
D. BLAST FREEZER (HIGH SILL) - 4 SIDES OF FRAME.
- DOOR, FRONT AND BACK, TO BE #26 GA. GALVANIZED STUCCO PATTERN EMBOSSED STEEL WITH BAKED-ON WHITE ENAMEL FINISH, AS STANDARD.   
OPTIONAL:  
A. STAINLESS STEEL   
B. ALUMINUM   
C. PAINTED STEEL - COLOR
- CASING CONSTRUCTION (MUST MATCH JAMB CONSTRUCTION)  
PLYWOOD METAL CLAD (1 1/2" X 5 1/2")   
URETHANE WOODLESS (1" X 5 1/2")   
PVC WOODLESS (1" X 5 1/2", REQUIRES JAMBS)
- DOOR HINGES (CAM-LIFT)  
A. CORROSION PROTECTED FINISH (STANDARD)   
B. BRIGHT ANODITE FINISH (OPTIONAL)
- DOOR LATCH  
A. CORROSION PROTECTED FINISH (STANDARD)   
B. CHROME PLATED FINISH (OPTIONAL)
- OPTIONS:  YES  NO  
A. JAMBS, CLAD TO MATCH DOOR    
SPECIFY WALL THICKNESS \_\_\_\_\_  
B. INSIDE TRIM, CLAD TO MATCH DOOR    
C. JAMB & TRIM CONSTRUCTION  
EXTRUDED ALUMINUM (TRIM ONLY, NOT WITH PVC)    
PLYWOOD METAL CLAD    
URETHANE WOODLESS    
PVC WOODLESS    
D. DOOR SEALED TO MEET M.I.D. SPECIFICATIONS    
E. KICKPLATE, DOOR FRONT    
GAUGE \_\_\_\_\_ HEIGHT \_\_\_\_\_  
F. KICKPLATE, DOOR BACK    
GAUGE \_\_\_\_\_ HEIGHT \_\_\_\_\_  
G. KICKPLATE, FRAME    
GAUGE \_\_\_\_\_ HEIGHT \_\_\_\_\_  
H. VIEW WINDOW, 12" X 14" STANDARD    
QUANTITY OF LAYERS \_\_\_\_\_  
J. HIGH HEAT INSULATION    
K. OTHER