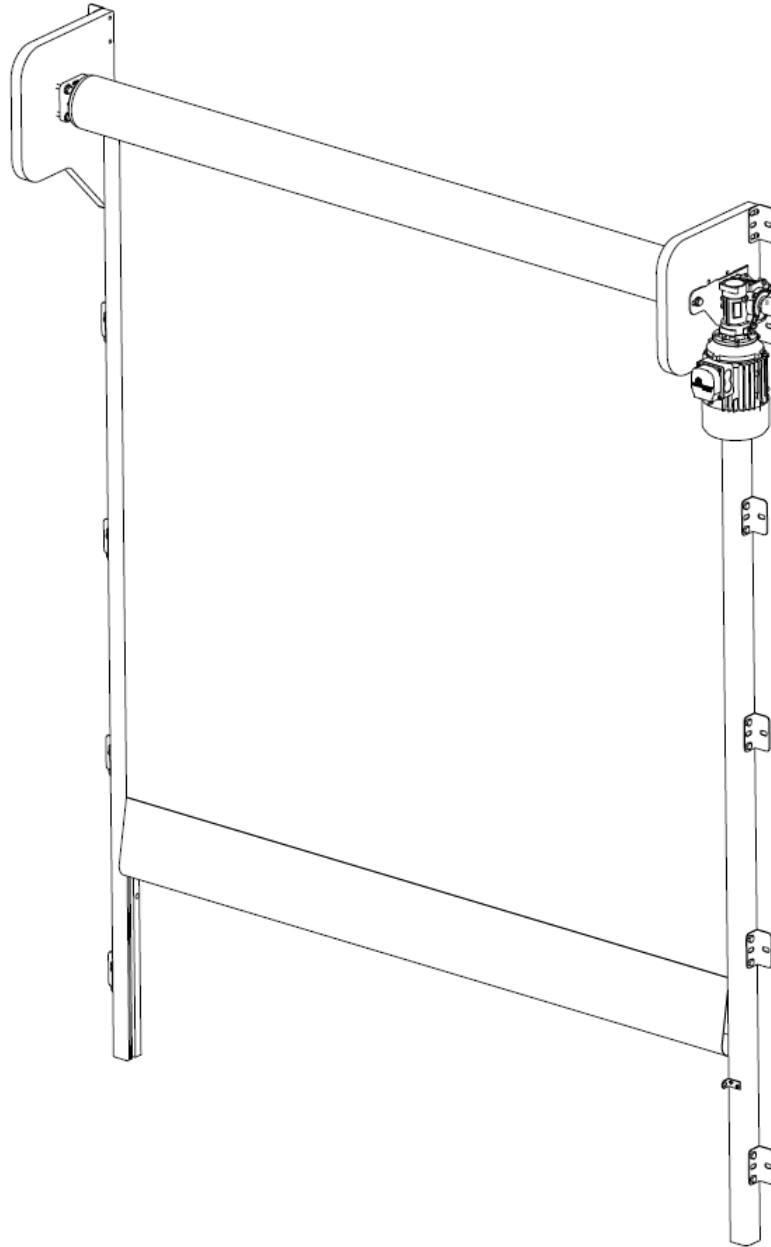


**JAMISON-B.M.P.
INDUSTRIAL RAPID DOORS
DynamicRoll® PE Replacement Parts**



JAMISON DOOR COMPANY
P.O. BOX 70
HAGERSTOWN, MARYLAND 21741
USA
1-800-532-3667 301-733-3100

INTERNET: <http://www.JamisonDoor.com>
E-MAIL: Contact@JamisonDoor.com

THIS PAGE LEFT BLANK

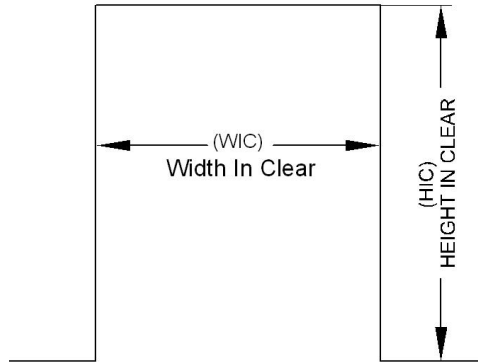
INDEX

| | |
|---|----|
| 1. Instruction Sheet for Ordering Replacement Parts | 4 |
| 2. Assembly Information | 5 |
| 3. Side Frame Assembly..... | 6 |
| 4. Head Assembly | 7 |
| 5. Power Unit Assembly..... | 8 |
| 6. Curtain Assembly | 10 |
| 7. Pneumatic Reversing Edge Assembly | 11 |
| 8. Control Panel | 12 |
| 9. Control Panel Components..... | 13 |
| 10. Miscellaneous Parts..... | 14 |
| A. Photoeye Pair | 14 |
| B. Sight Sound Safety System | 15 |
| c. Pull Cord Switch | 17 |
| d. Push Button..... | 18 |
| E. Floor Loop..... | 19 |
| F. Motion Detector..... | 20 |
| G. Unroll Sensor..... | 21 |
| H. Touchless Activation..... | 22 |
| I. Radio Control | 23 |

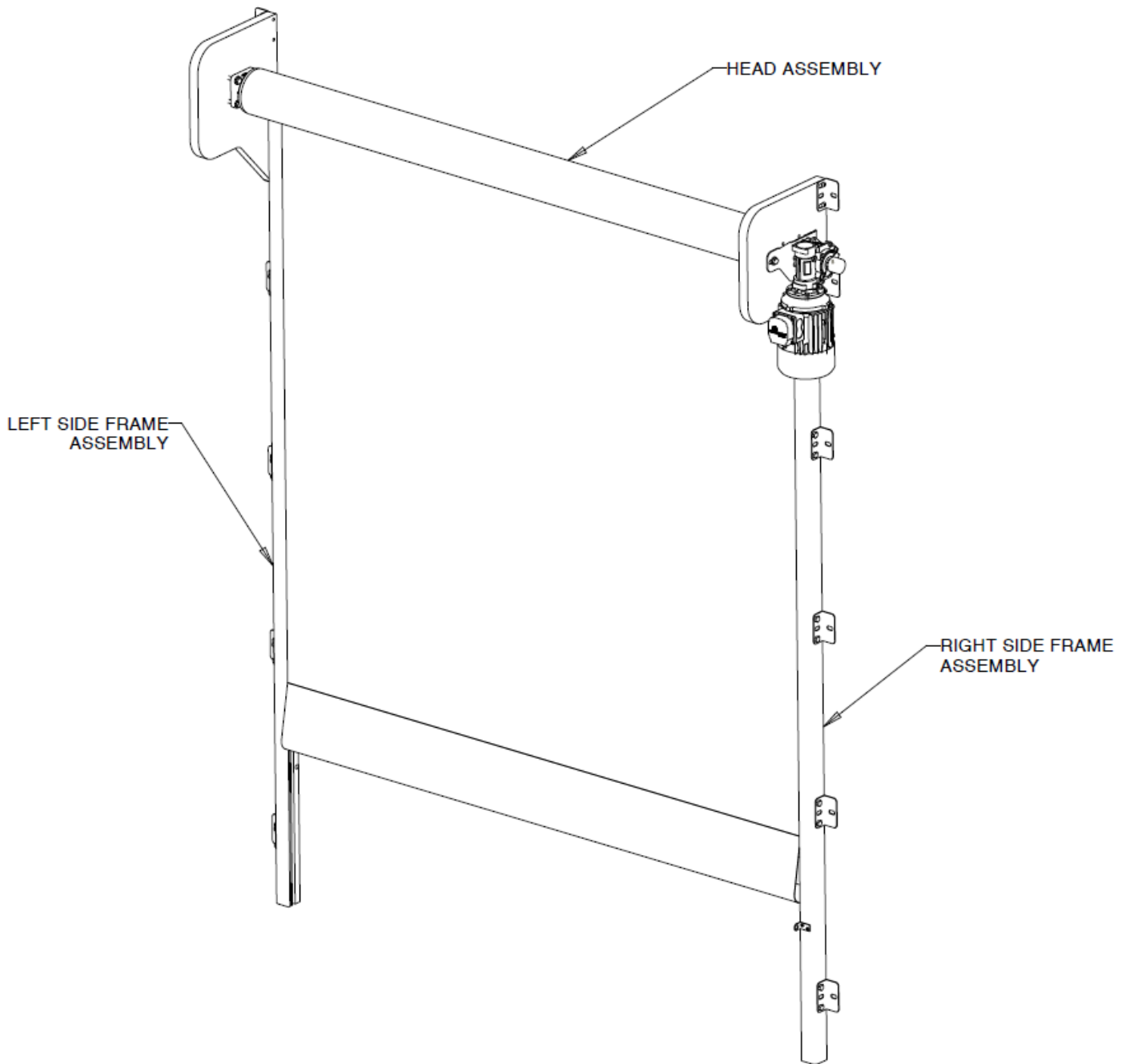
1. INSTRUCTION SHEET FOR ORDERING REPLACEMENT PARTS

NOTES:

1. Sufficient information must be included with all orders so that we can give prompt and accurate service. The specific information needed includes:
 - a. The stock number, drawing number and name of the part
 - b. The door's serial number.
 - c. Whether the door is a right side or left side motor.
2. Parts highlighted in gray are no longer available.



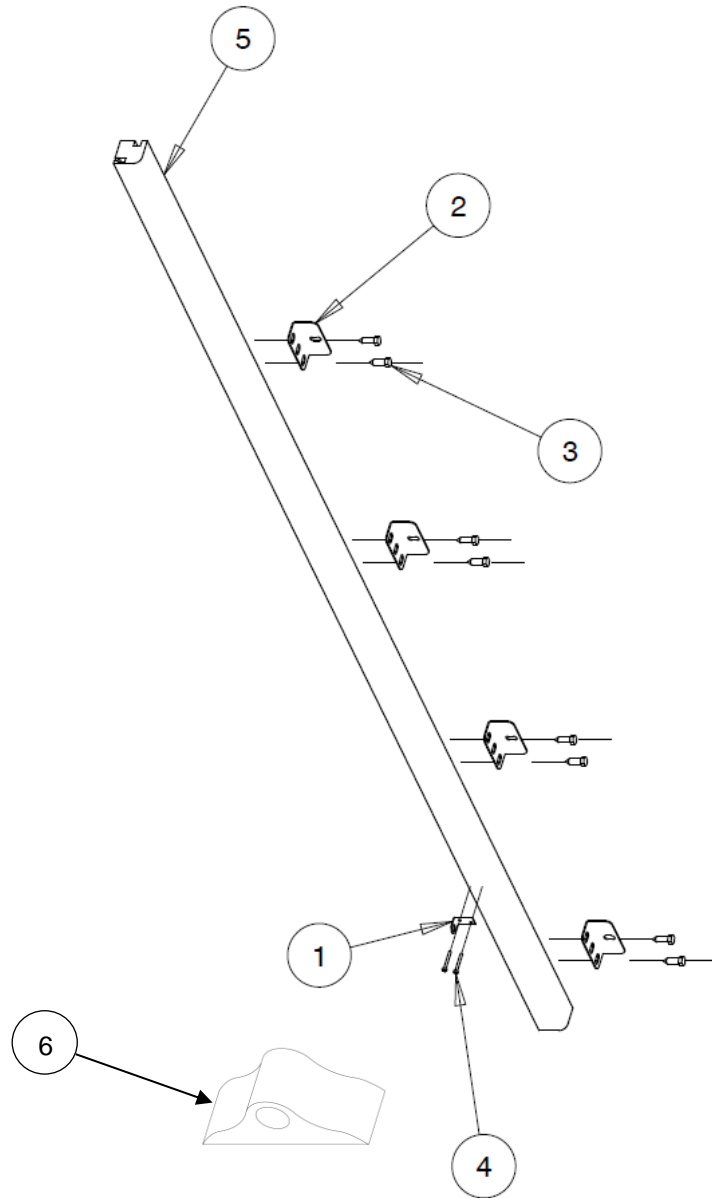
2. ASSEMBLY INFORMATION



NOTES:

1. Right side motor assembly shown, left side opposite.

3. SIDE FRAME ASSEMBLY



NOTES:

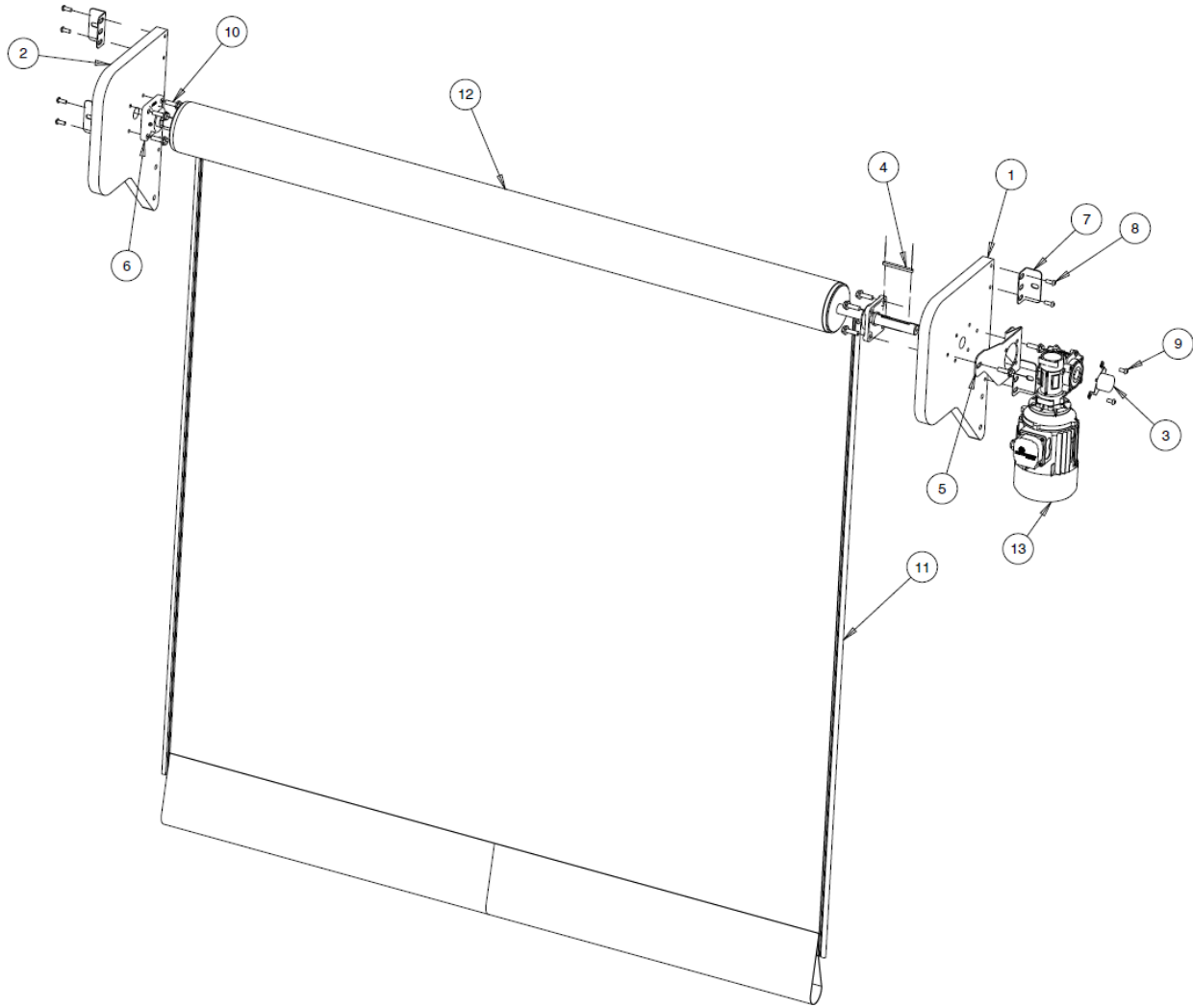
1. Motor side assembly shown, non-motor side does not have items 1 & 4.

| Ref # | Group | Finish | Offset | Name of Part | Stock No. | Drawing No. |
|-------|-------|--------|--------|--|--------------|-------------|
| Assy. | | | | Side Frame Complete Assembly (Motor-Side) | 4487-173-XXB | 4487-173 |
| | | | | Side Frame Complete Assembly (Non-Motor Side) | | |
| 1. | | | | Photoeye Mounting Bracket (Motor Side Only) | 4487-174-02B | 4487-174 |
| 2.* | | | | Side Frame Mounting Bracket | 486-304B | 4487-172 |
| 3. | | SST | | Lag Screw (3/8" x 1-1/4") | 763-447B | |
| 4. | | | | Pan Head Screw (#8 x 1-1/2") (Motor Side Only) | 765-365B | |
| 5.* | | | | Side Frame | 019-031B | 4487-173 |
| 6. | | | | PE Photoeye Support, Plastic | 019-036B | |

*When ordering, specify serial number.

Note: See instruction sheet for ordering parts.

4. HEAD ASSEMBLY



NOTES:

1. Right side motor assembly shown, left side opposite.

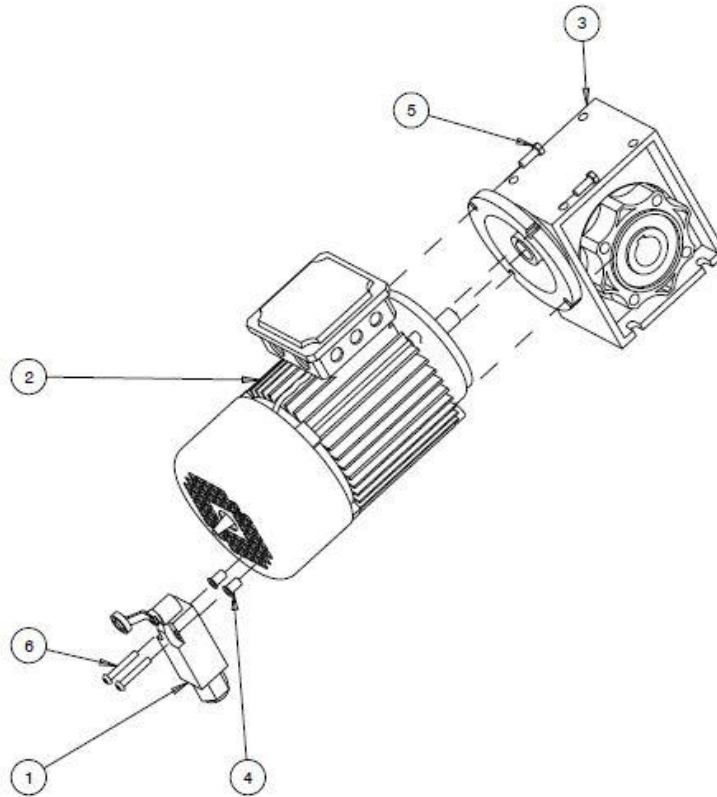
| Ref # | Group | Finish | Offset | Name of Part | Stock No. | Drawing No. |
|-------|-------|--------|--------|--|---------------|-------------|
| Assy. | | | | Complete Head Assembly | 4487-170-XXB | 4487-170 |
| 1. | | | | Bearing Plate, Motor Side | 019-033B | 4487-176 |
| 2. | | | | Bearing Plate, Non-Motor Side | 019-034B | 4487-136 |
| 3. | | | | %Encoder Assembly | 119-056B | |
| 4. | | SST | | Keystock, Reducer | 314-114B | |
| 5. | | SST | | Mounting Bracket, Reducer | 4487-017-02B | 4487-017 |
| 6. | | SST | | Bearing | 481-073B | |
| 7. | | SST | | Side Frame Mounting Bracket | 486-304B | 4487-172 |
| 8. | | SST | | Lag Screw (3/8" x 1-1/4") | 763-447B | |
| 9. | | SST | | Button Head Bolt (M8 x 16mm) | 761-327B | |
| 10. | | SST | | Serrated Hex Flange Screw (M10 x 30mm) | 761-402B | |
| 11.* | | | | Curtain Assembly | See Section 6 | |
| 12.* | | | | Drum Assembly | 4487-069-X2B | 4487-69 |
| 13.* | | | | Power Unit Assembly | See Section 5 | |

*When ordering, specify serial number.

%For orders more recent than 119419, only the Encoder Assembly is needed. For serial number prior to 119419 (without spider cable) add Replacement Kit 448728901B for use with Encoder Assembly.

Note: See instruction sheet for ordering parts.

5. POWER UNIT ASSEMBLY

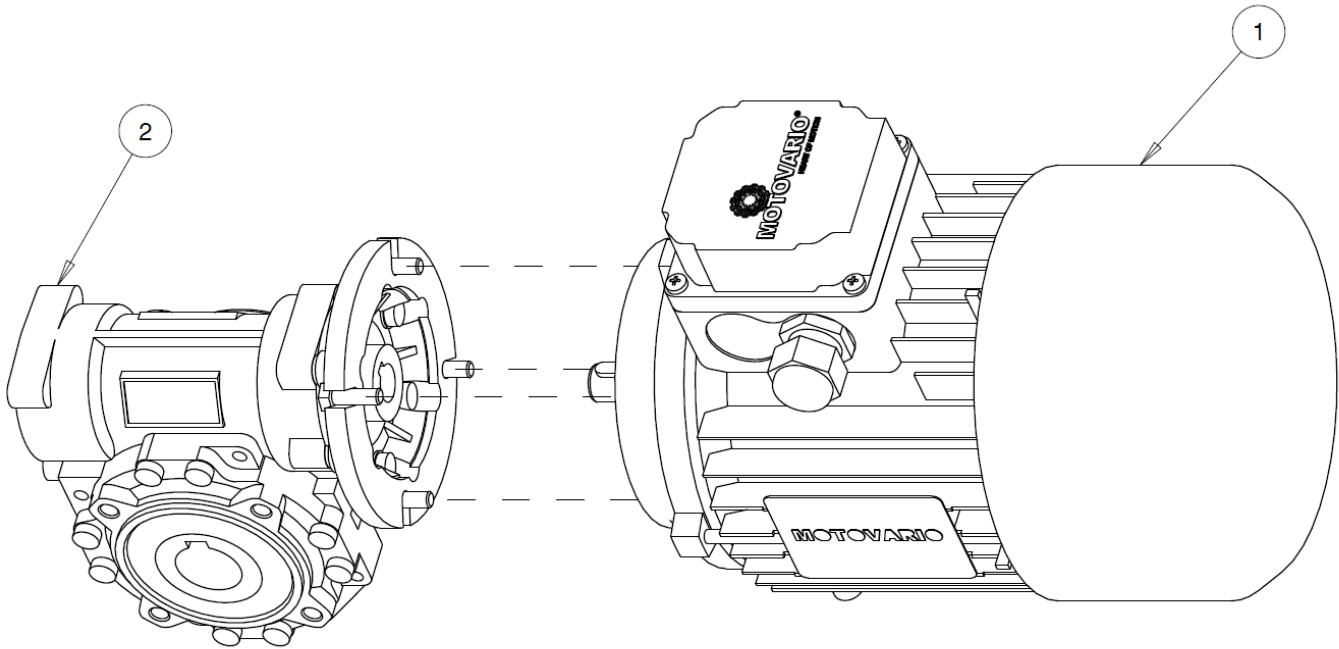


STANDARD POWER UNIT

| Ref # | Group | Finish | Offset | Name of Part | Stock No. | Drawing No. |
|-------|-------|--------|--------|--|-------------|-------------|
| Assy. | | | | Complete Power Unit Assembly | 4487-087-XX | 4487-87 |
| 1 | | | | Micro Safety Switch | 113-020B | |
| 2 | | | | Motor, M1.5N | 113-030B | |
| 3* | | | | Reducer, 15:1 | 201-105B | |
| | | | | Reducer, 30:1 | 201-106B | |
| 4* | | SST | | Rivnut (M5 X 0.8) | 759-092B | |
| 5 | | Galv | | Hex Cap Screw (M6 X 1 X 18mm) | 761-036B | |
| 6* | | SST | | Button Hex Head Bolt (M5 X 0.8 X 30mm) | 761-328B | |

*When ordering, specify serial number.

Note: See instruction sheet for ordering parts.

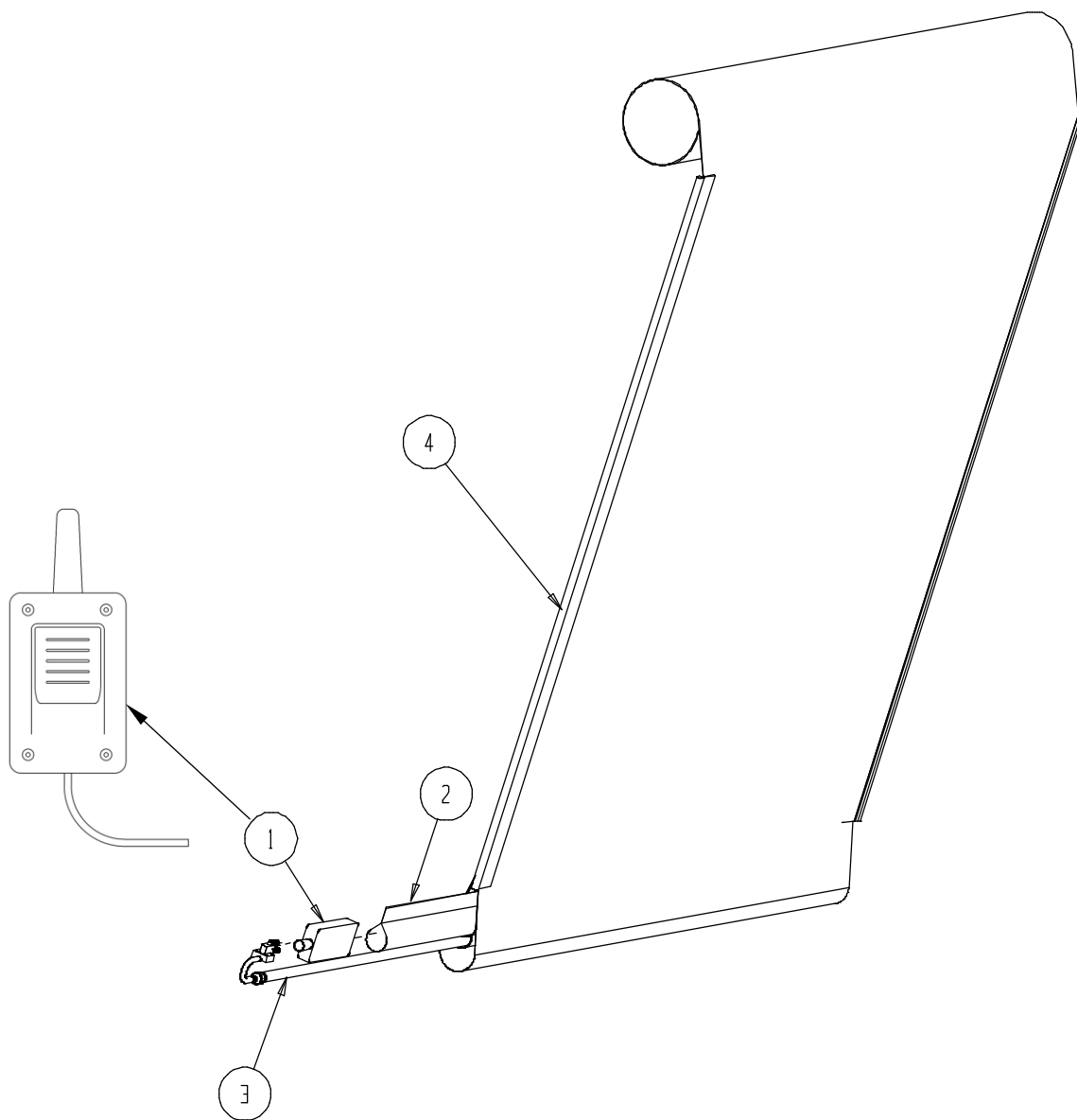


TROPICAL POWER UNIT

| Ref # | Group | Finish | Offset | Name of Part | Stock No. | Drawing No. |
|-------|-------|--------|--------|------------------------------|-------------|-------------|
| Assy. | | | | Complete Power Unit Assembly | 4487-179-XX | 4487-179 |
| 1. | | | | Motor, .75kW | 133-032B | |
| 2. | | | | Reducer, 40:1 | 201-108B | |

Note: See instruction sheet for ordering parts.

6. CURTAIN ASSEMBLY



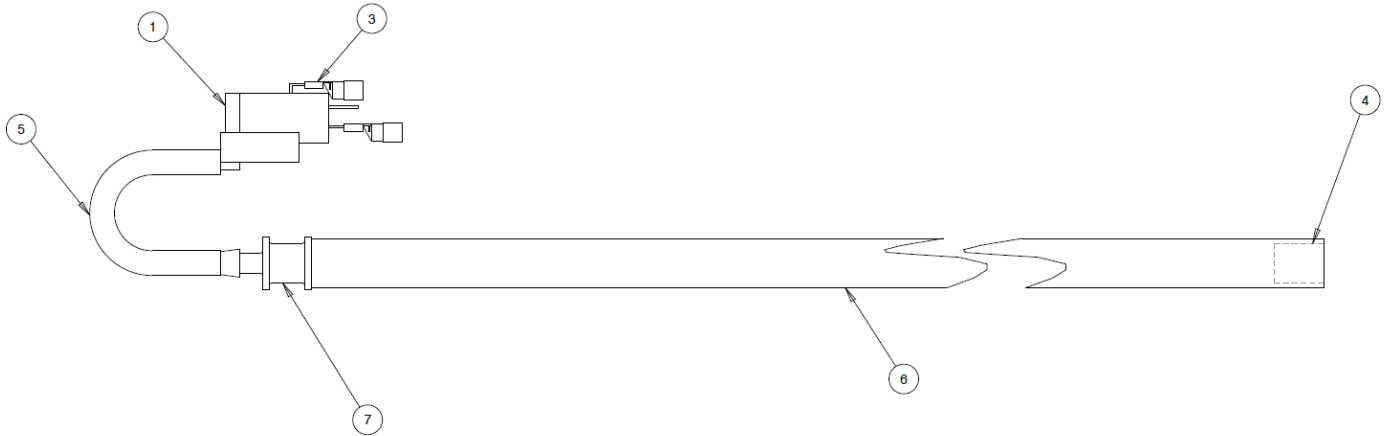
Partial View of Curtain Shown to Detail Bottom

| Ref # | Group | Finish | Offset | Name of Part | Stock No. | Drawing No. |
|-------|-------|--------|--------|---|----------------|-------------|
| 1 | | | | Wireless Transmitter and Receiver (Transmitter in Curtain, Receiver Wired to Control Panel) | 119-042B | |
| 2* | | | | Ballast | 4487-085-XXB | 4487-85 |
| 3* | | | | Pneumatic Reversing Edge Assembly | See Section 13 | 4487-125 |
| 4* | | | | Curtain Assembly | 4487-028-XXB | 4487-28 |

*When ordering, specify serial number.

Note: See instruction sheet for ordering parts.

7. PNEUMATIC REVERSING EDGE ASSEMBLY

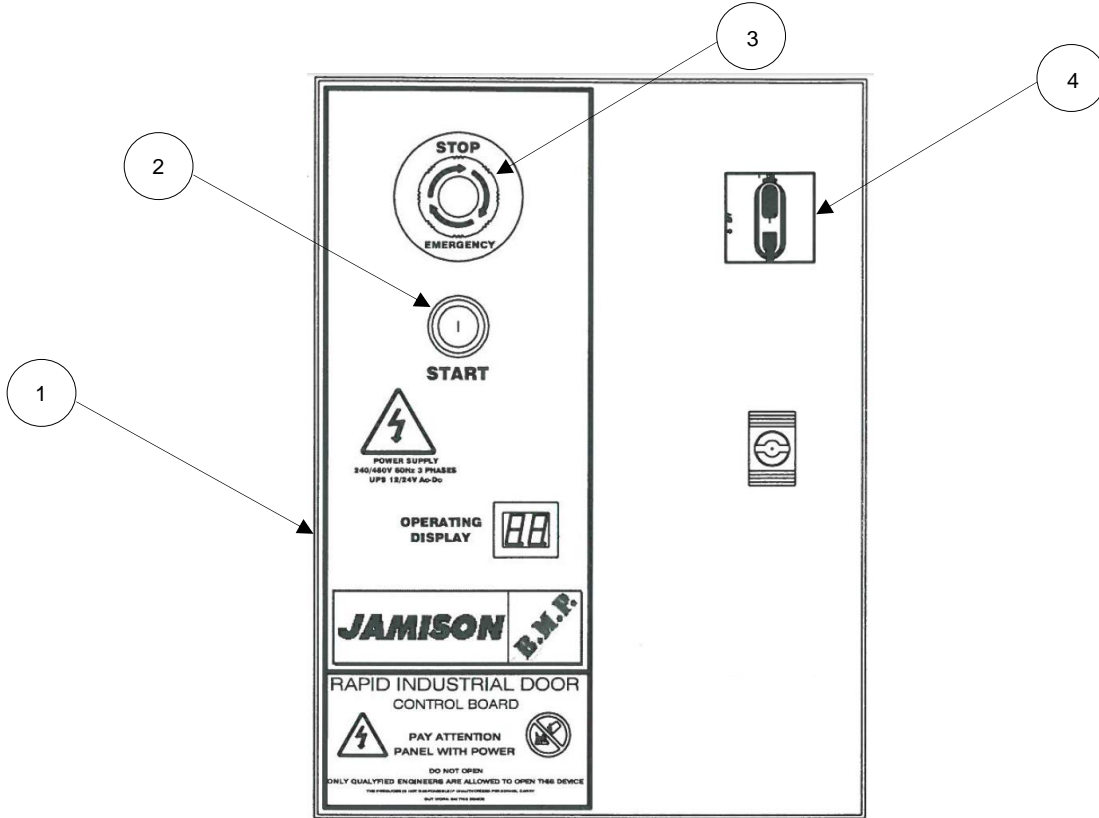


| Ref # | Group | Finish | Offset | Name of Part | Stock No. | Drawing No. |
|-------|-------|--------|--------|--|--------------|-------------|
| Assy. | | | | Reversing Edge Complete Assembly | 4487-125-XX | 4487-125 |
| | | | | Reversing Edge Complete Assembly (10' WIC) | 4487-125-11B | 4487-125 |
| | | | | Reversing Edge Complete Assembly (12' WIC) | 4487-125-21B | 4487-125 |
| | | | | Reversing Edge Complete Assembly (Custom) | 4487-125-XXB | 4487-125 |
| 1. | | | | Pressure Sensitive Switch | 113-220B | |
| 2. | | | | 2 Conductor Wire (Black, Red) Not Shown | 123-306B | |
| 3. | | | | Slip On Terminal (.187" x 22-18) | 191-217B | |
| 4. | | | | End Plug | 4390-167-01B | 4390-167 |
| 5.* | | | | Rubber Surgical Tubing (5/8" x 1/2" x 1/16") | 4487-125-XXB | 4487-125 |
| 6. | | | | Barbed Tube Fitting (1/2" to 1/4") | 559-121B | |
| 7. | | | | Clear Vinyl Hose (5/16" x 3/16" x 1/16") | 4487-086-01B | 4487-86 |

*When ordering, specify serial number.

Note: See instruction sheet for ordering parts.

8. CONTROL PANEL



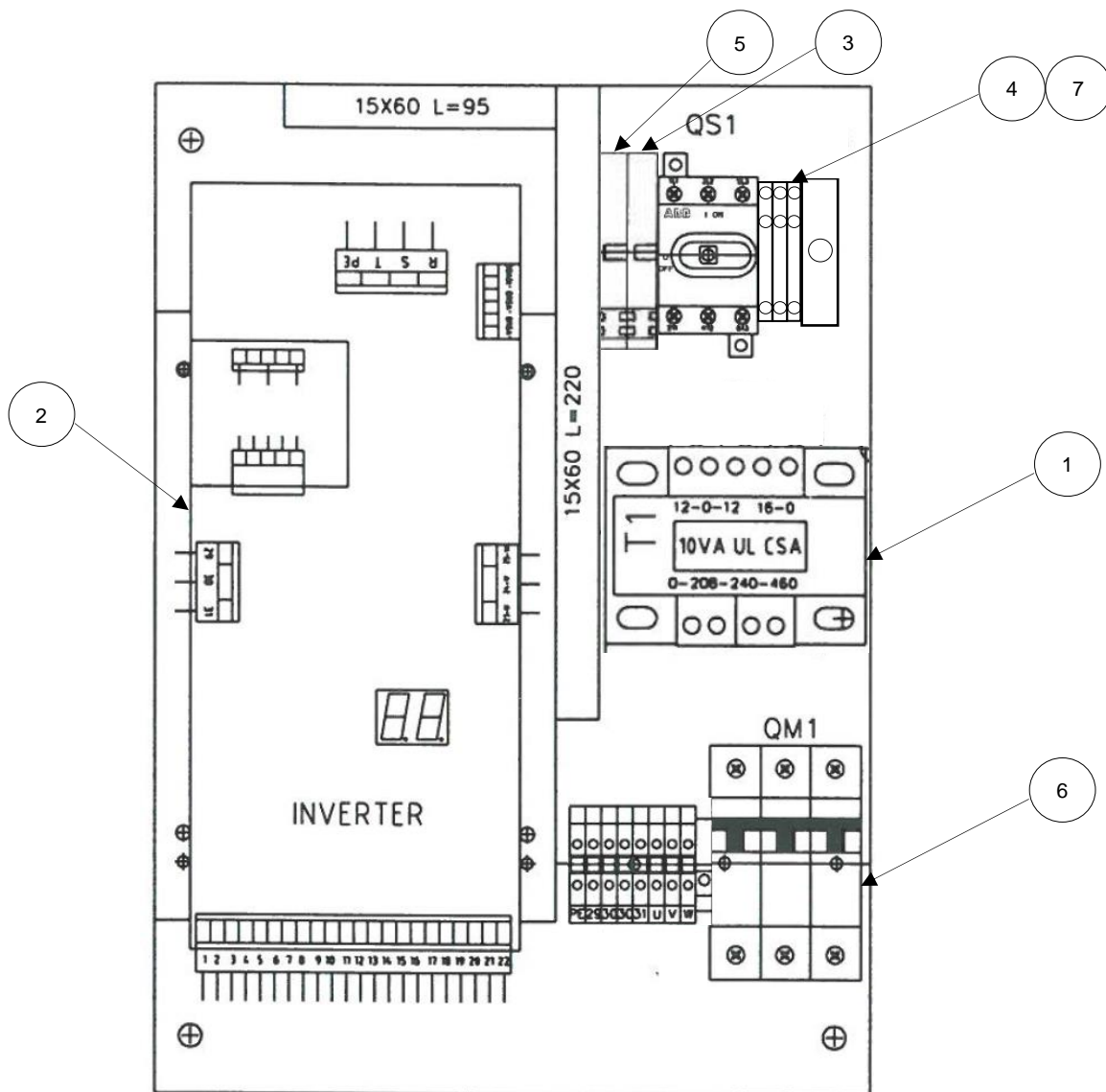
| Ref # | Group | Finish | Offset | Name of Part | Stock No. | Drawing |
|-------|-------|---------|--------|---|--------------|---------|
| 1.* | | PTD | | Control Panel Assembly (NEMA1) | 119-207B | |
| | | SST | | Control Panel Assembly (NEMA4X) | 119-208B | |
| | | PLASTIC | | Control Panel Assembly (NEMA4X) | 119-206B | |
| 2. | | | | Start Button (Green) | 119-021B | |
| 3. | | | | E-Stop Switch | 119-045B | |
| 4. | | | | On/Off Door Lock Switch | 119-050B | |
| 5. | | | | Motor Wire (Not Shown) | 121-035B | |
| 7.*% | | | | Spider Connector < 8' X 10' (Not Shown) | 191-534B | |
| | | | | Spider Connector < 10' X 16' (Not Shown) | 191-535B | |
| | | | | Spider Connector < 12' X 20' (Not Shown) | 191-536B | |
| 8.*% | | | | Control Panel Receptacle for Spider (Not Shown) | 191-537B | |
| 9.*% | | | | 32ft Extended Control Panel Connector (Not Shown) | 191-533B | |
| 10.*% | | | | Small Spider Wire Conversion Kit (After 6/27/16) | 4487-270-01B | |
| | | | | Medium Spider Wire Conversion Kit (After 6/27/16) | 4487-270-11B | |
| | | | | Large Spider Wire Conversion Kit (After 6/27/16) | 4487-270-21B | |

*When ordering, specify serial number.

%Only for orders more recent than 119419

Notes: See instruction sheet for ordering parts. Internal components are common for all NEMA applications.

9. CONTROL PANEL COMPONENTS



NOTES:

1. ENCLOSURE COVER NOT SHOWN FOR CLARITY

| Ref # | Group | Finish | Offset | Name of Part | Stock No. | Drawing |
|-------|-------|--------|--------|---|-----------|---------|
| 1. | | | | Transformer, 10VA For 208, 230, 460. | 115-133B | |
| 2. | | | | Control Card, 3 Phase | 115-003B | |
| | | | | Control Card, Single Phase | 115-001B | |
| 3. | | | | 630V Fuse Holder | 170-069B | |
| 4. | | | | Terminal Block (460/480V only) | 170-028B | |
| 5. | | | | 100 mA Fuse (Not Shown) | 116-124B | |
| 6. | | | | 15 Amp Fuse (Not Shown) | 116-111B | |
| 7. | | | | 510V MOV/Varistor (460/480V only) (Not Shown) | 119-294B | |

NOTE: See instruction sheet for ordering parts.

10. MISCELLANEOUS PARTS

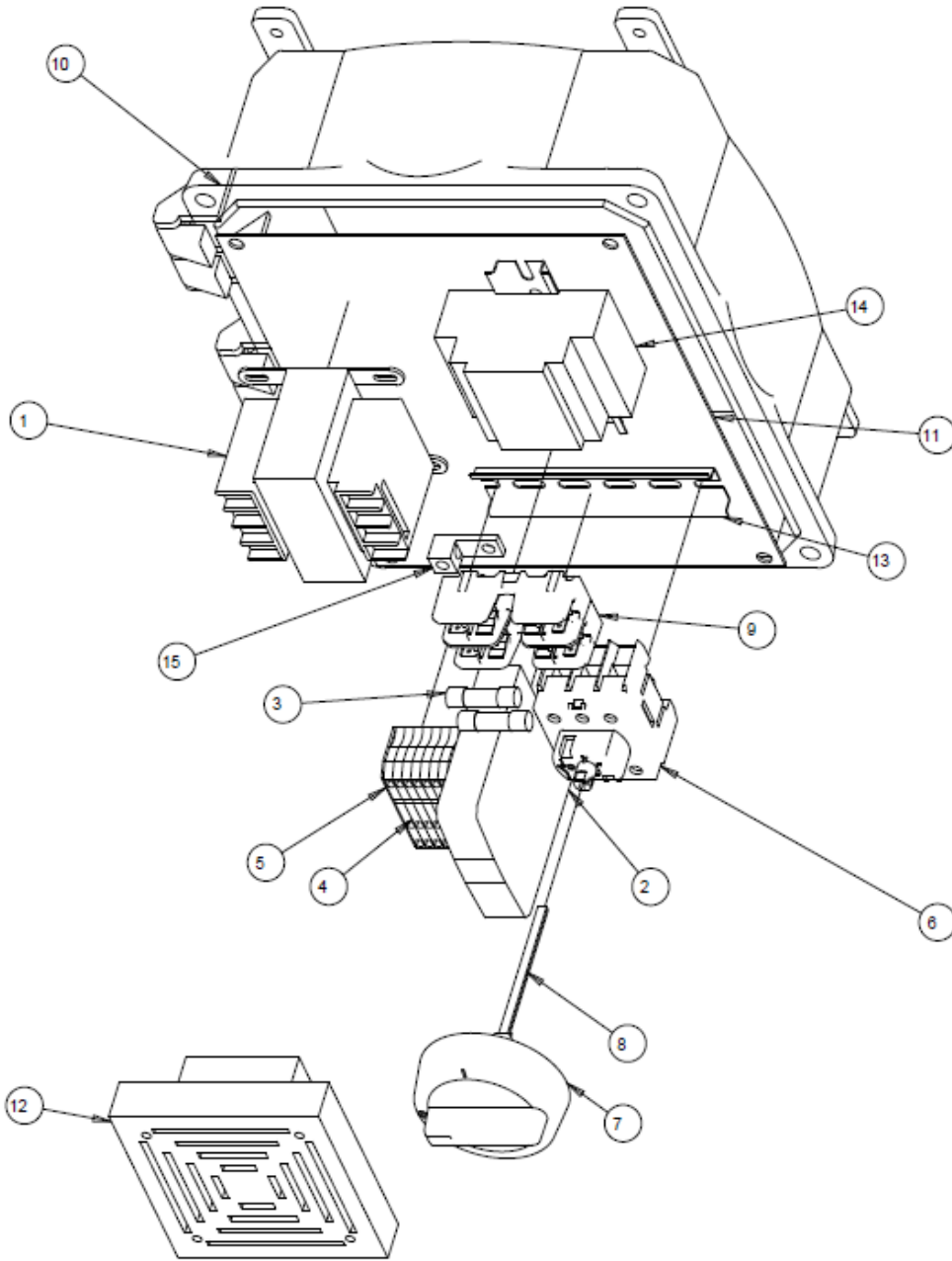
A. PHOTOEYE PAIR



| Ref # | Group | Finish | Offset | Name of Part | Stock No. | Drawing |
|-------|-------|--------|--------|---|--------------|---------|
| Assy. | | | | Photoeye Conversion Kit (Contains Items 1 & 2) (For doors shipped before 05/21/2014) | 4487-161-01B | |
| 1. | | | | Photoeye Pair | 119-122B | |
| 2. | | | | Photoeye Receiver | 119-123B | |
| 3. | | | | Photoeye Transmitter | 119-124B | |
| 4. | | | | 3 Conductor Cable (Not Shown) | 119-292B | |

Note: See instruction sheet for ordering parts.

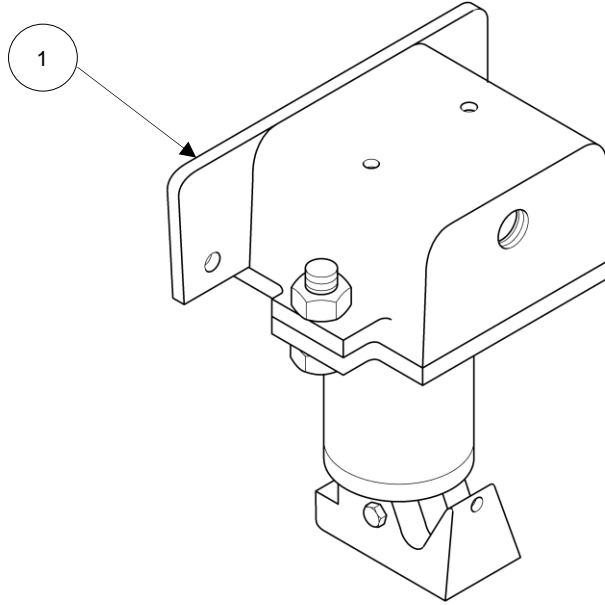
B. Sight Sound Safety System



| Ref # | Group | Finish | Offset | Name of Part Stock | Stock No. | No. Drawing |
|-------|-------|--------|--------|---------------------------|-----------|-------------|
| 1 | | | | Transformer | 115108 | |
| 2 | | | | Power Supply | 115138 | |
| 3 | | | | Fuse, 3A | 116108 | |
| 4 | | | | Terminal Block | 170030 | |
| 5 | | | | Terminal Barrier Block | 170048 | |
| 6 | | | | Disconnect Switch | 170077 | |
| 7 | | | | Selector Handle | 170078 | |
| 8 | | | | Selector Handle Shaft | 170079 | |
| 9 | | | | Fuse Holder | 191166 | |
| 10 | | | | Polycarbonate Enclosure | 191547 | |
| 11 | | | | Panel | 191548 | |
| 12 | | | | Washdown Buzzer | 199102 | |
| 13 | | | | Din Rail | 439040602 | 4390406 |
| 14 | | | | Logic Smart Relay | 449300301 | |
| 15 | | | | Grounding Lug | 191355 | |
| 16 | | | | Wire #18-3 (Not shown) | 121015 | |
| 17 | | | | Light Strip(Not shown) | 199104 | |
| 18 | | | | LED Countdown (Not shown) | 199103 | |
| | | | | Safety System w/ PS | 449300101 | 4493001 |
| | | | | Safety System w/o PS | 449300111 | 4493001 |

Note: 449300101 HAS POWER SUPPLY, BUT 449300111 DOES NOT

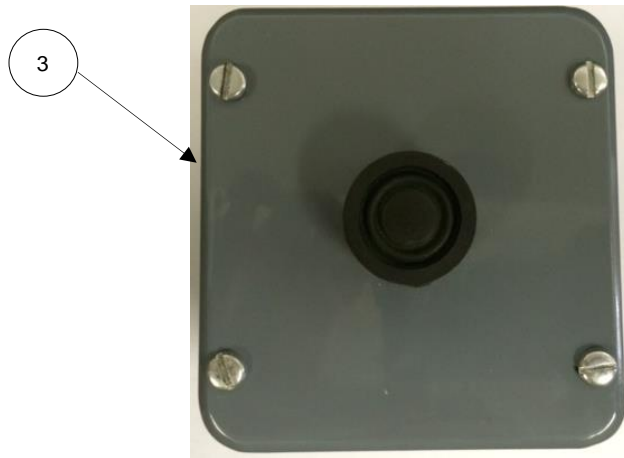
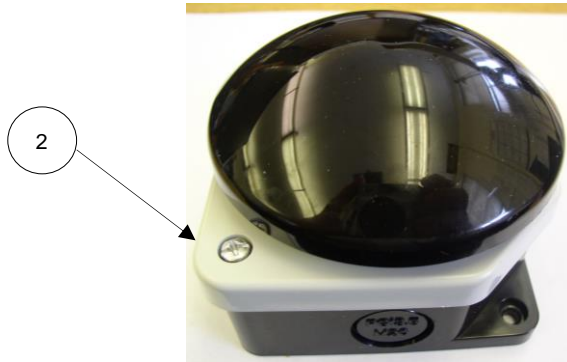
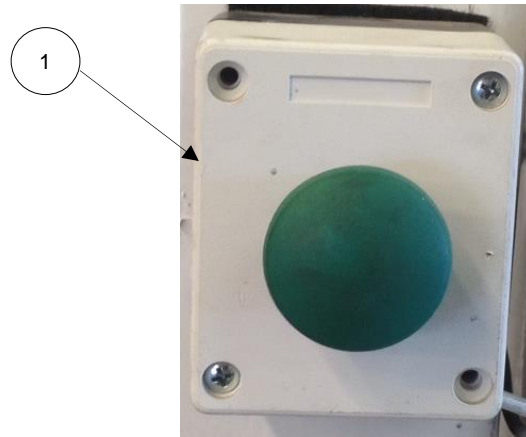
C. PULL CORD SWITCH



| Ref # | Group | Finish | Offset | Name of Part | Stock No. | Drawing |
|-------|-------|--------|--------|---|--------------|---------|
| 1. | | | | Complete WPS Switch Assembly (w/o Heat) | 113-218B | |
| | | | | Complete WPS Switch Assembly (w/Heat) | 113-219B | |
| | | | | Complete WPS Switch Assembly (w/ 220V Heat) | 4285-099-01B | 4285-99 |
| 2. | | | | Pull Cord Rope Vinyl 60' (Not Shown) | 4285-049-01B | 4285-49 |

Note: See instruction sheet for ordering parts.

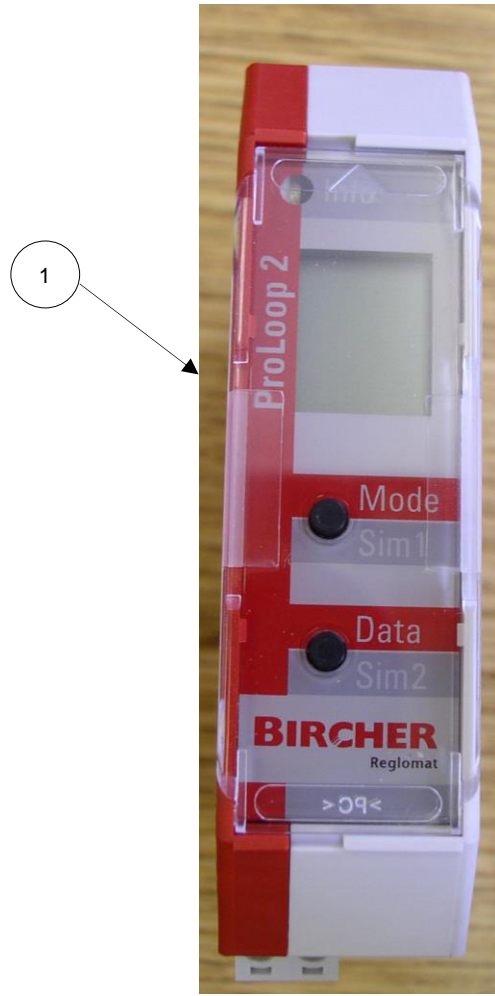
D. PUSH BUTTON



| Ref # | Group | Finish | Offset | Name of Part | Stock No. | Drawing |
|-------|-------|--------|--------|---|--------------|---------|
| 1. | | | | Lovato Green Push Button Complete Assembly | 4487-123-01B | |
| 2. | | | | Giovenzana International Push Button Assembly | 119-020B | |
| 3. | | | | NEMA 4 Push Button Assembly (w/out heat) | 119-019B | |
| | | | | NEMA 4 Push Button Assembly (w/ 120V Heat) | 4390-332-01B | |
| | | | | NEMA 4 Push Button Assembly (w/ 220V Heat) | 4390-332-02B | |

Note: See instruction sheet for ordering parts.

E. FLOOR LOOP



NOTES:

1. Floor Loop Module shown outside of control panel for clarity.

| Ref # | Group | Finish | Offset | Name of Part | Stock No. | Drawing |
|-------|-------|--------|--------|---|-----------|---------|
| 1. | | | | Floor Loop Module | 119-034B | |
| 2. | | | | Backer Rod BR-125 1/4" Dia (Not Shown) | 119-018B | |
| 3. | | | | Wire, DSI-120 1/8" Dia (500ft/Roll) (Not Shown) | 119-017B | |

Note: See instruction sheet for ordering parts.

F. MOTION DETECTOR



| Ref # | Group | Finish | Offset | Name of Part | Stock No. | Drawing |
|-------|-------|--------|--------|-------------------------------------|-----------|---------|
| 1. | | | | APRO 20 | 119-043B | |
| 2. | | | | BEA Falcon | 119-033B | |
| 3. | | | | BEA #10 Eagle1 HM | 119-005B | |
| 4. | | | | Remote for Falcon/Eagle (Not Shown) | 119-006B | |

Note: See instruction sheet for ordering parts.

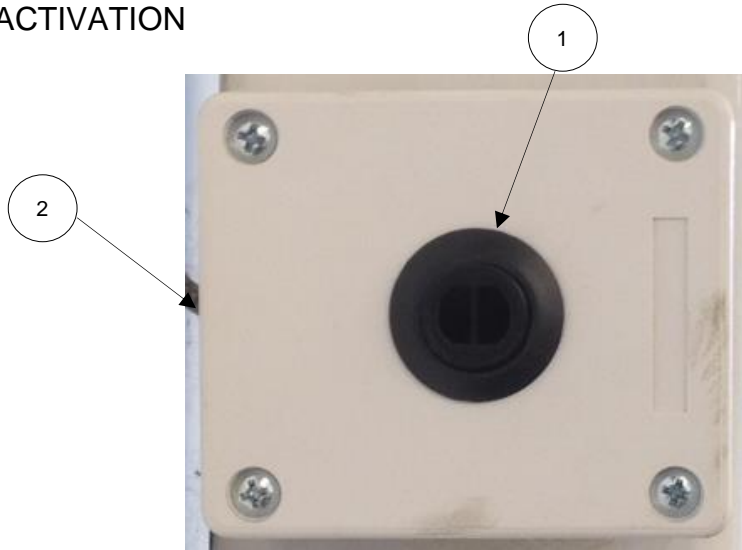
G. UNROLL SENSOR



| Ref # | Group | Finish | Offset | Name of Part | Stock No. | Drawing |
|-------|-------|--------|--------|-------------------------------------|-----------|---------|
| 3. | | | | SICK Prox Sensor for Spider Adapter | 119-052B | |

Note: See instruction sheet for ordering parts.

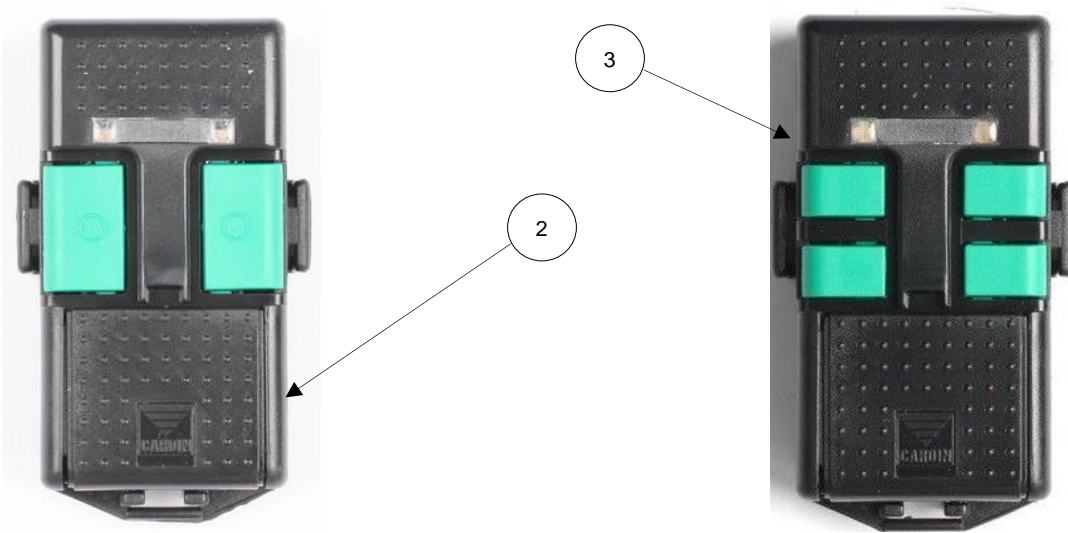
H. TOUCHLESS ACTIVATION



| Ref # | Group | Finish | Offset | Name of Part | Stock No. | Drawing |
|-------|-------|--------|--------|---|--------------|---------|
| Assy. | | | | Touchless Activation Sensor and Housing | 4487-146-01B | |
| 1. | | | | Proximity Sensor | 119-035B | |
| 2. | | | | Housing, Lovato 8L2PP1A8 | 191-082B | |
| 3. | | | | 4 Conductor Cable (Not Shown) | 119-293B | |

Note: See instruction sheet for ordering parts.

I. RADIO CONTROL



| Ref # | Group | Finish | Offset | Name of Part | Stock No. | Drawing |
|-------|-------|--------|--------|----------------------------|-----------|---------|
| 1. | | | | Radio Control Reciever | 119-037B | |
| 2. | | | | 2-Button Radio Transmitter | 119-038B | |
| 3. | | | | 4-Button Radio Transmitter | 119-039B | |
| 4. | | | | 12V Battery (Not Shown) | 199-091B | |

Note: See instruction sheet for ordering parts.