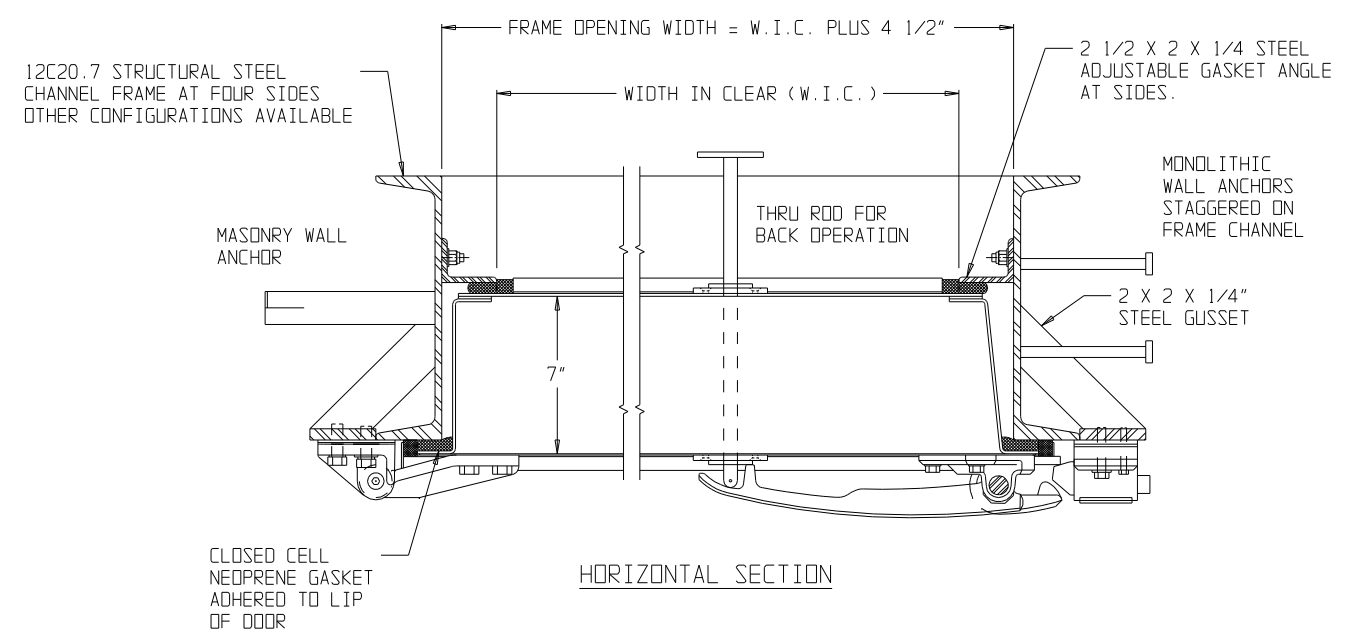
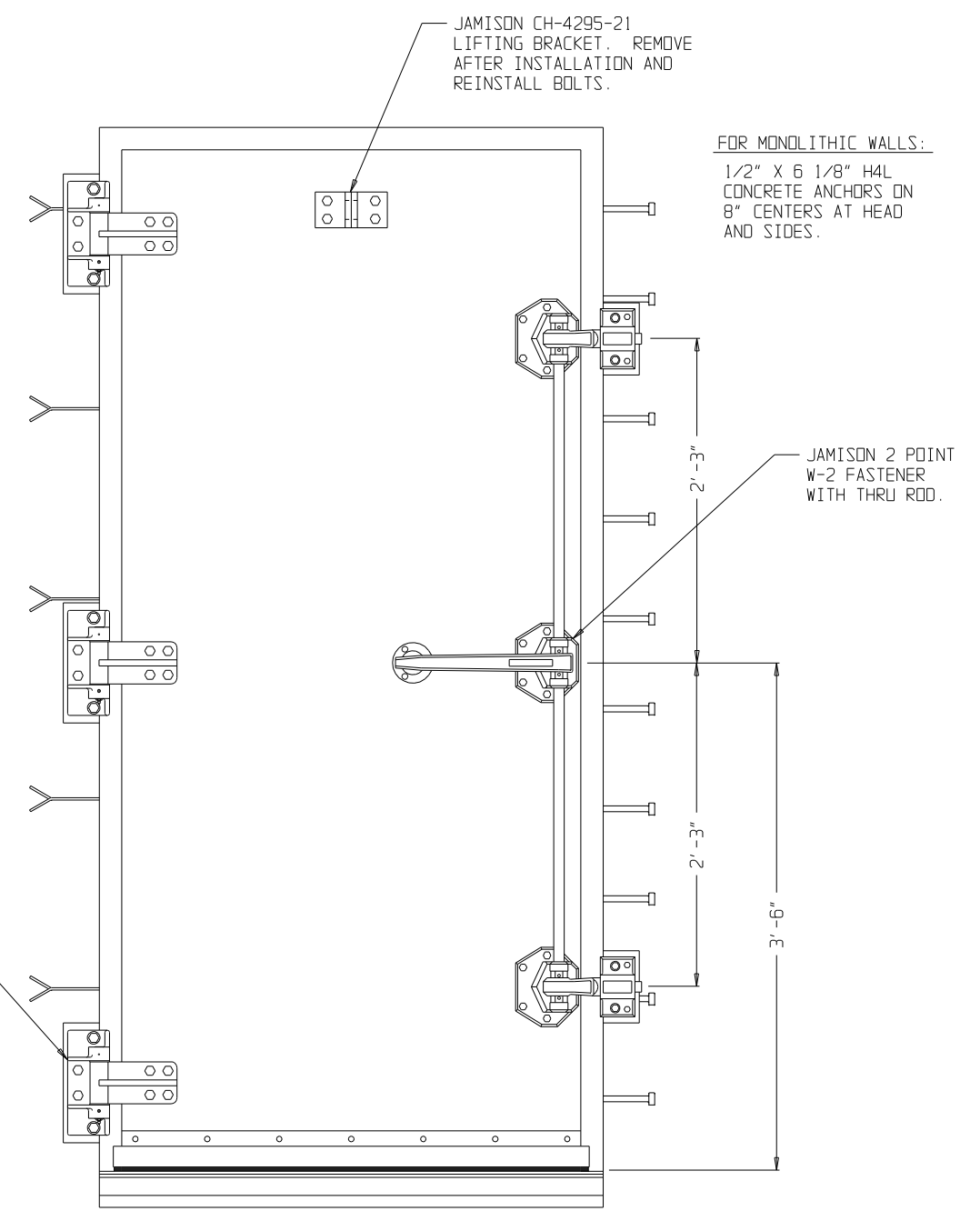


FOR MASONRY WALLS:
 3/16 X 1 1/2 X 8" STEEL ANCHORS, LOCATED ON 16" CENTERS.



SCALE(S) NONE		JOB NAME					
DATE	DRAWN	SOUND REDUCTION AND SPECIAL SALES					
6-18-92	W.H.B.	TITLE		LTR	DATE	BY	SUBJECT
CHECKED	APPROVED	STC 57 STANDARD SINGLE PERSONNEL DOOR		REVISIONS			
JAMISON DOOR COMPANY P. O. BOX 70 HAGERSTOWN, MARYLAND 21741				NO. CH-4424-5			