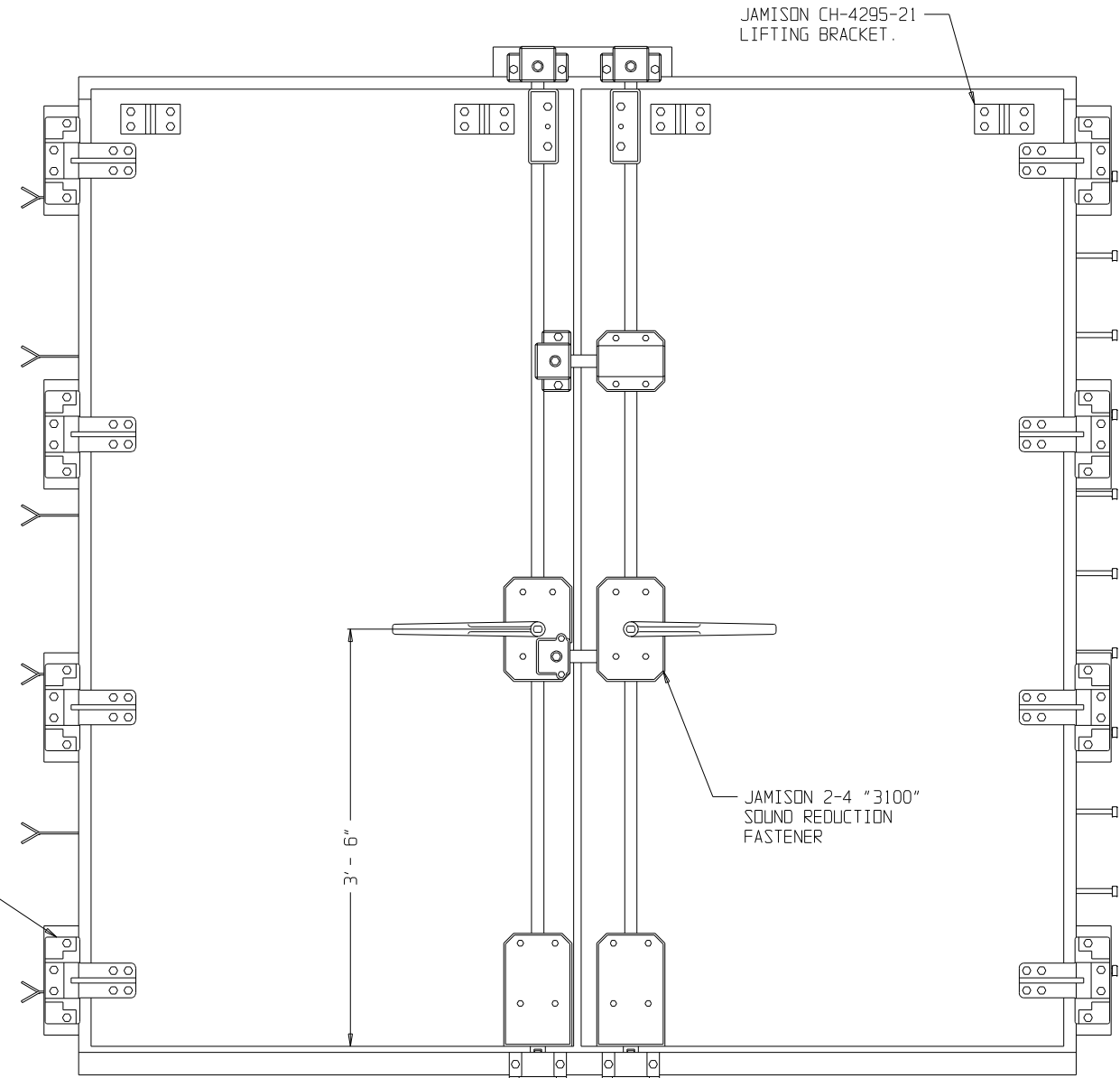
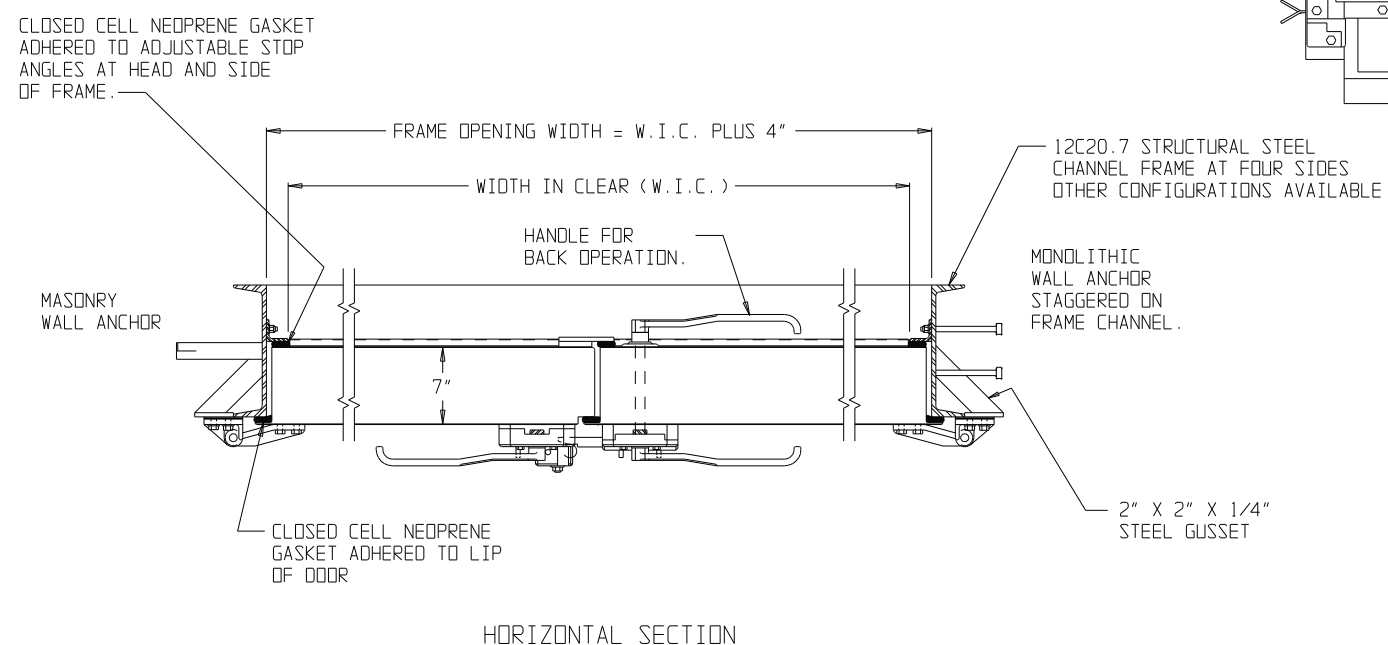


FOR MASONRY WALLS:
 3/16 X 1 1/2 X 8 STEEL ANCHORS LOCATED ON 16" CENTERS.

FOR MONOLITHIC WALLS:
 1/2" DIA. X 6 1/8" H4L CONCRETE ANCHORS ON 8" CENTERS AT HEAD AND SIDES



JAMISON FSR HINGE WITH BRONZE THRUST BUSHINGS, 4 RED'D. PER LEAF. HELD WITH 1/2-13 NC X 1 1/4" LG. HEX HEAD MACHINE BOLTS, 16 PER LEAF.



SCALE(S) NONE	JOB NAME SOUND REDUCTION AND SPECIAL SALES				
DATE 6-23-92	DRAWN W.H.B.				
CHECKED	APPROVED	TITLE STC 57 DOUBLE SWING DOOR	LTR	DATE	BY
JAMISON DOOR COMPANY P. O. BOX 70 HAGERSTOWN, MARYLAND 21741			REVISIONS		
			NO. CH-4424-10		