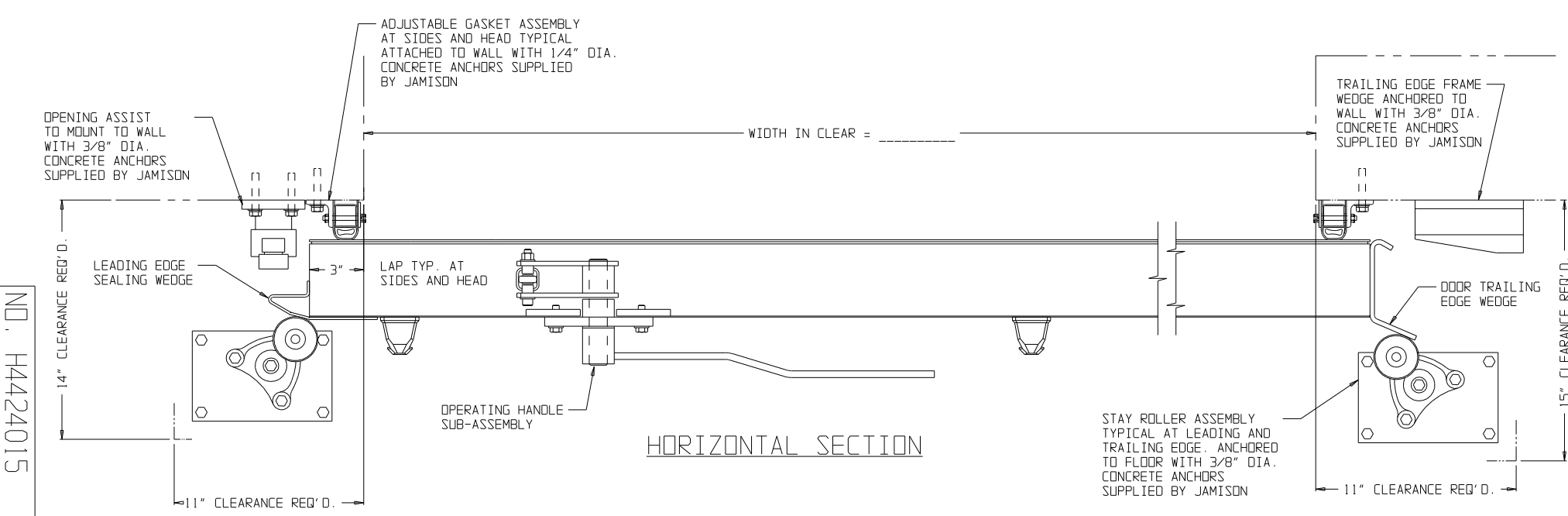
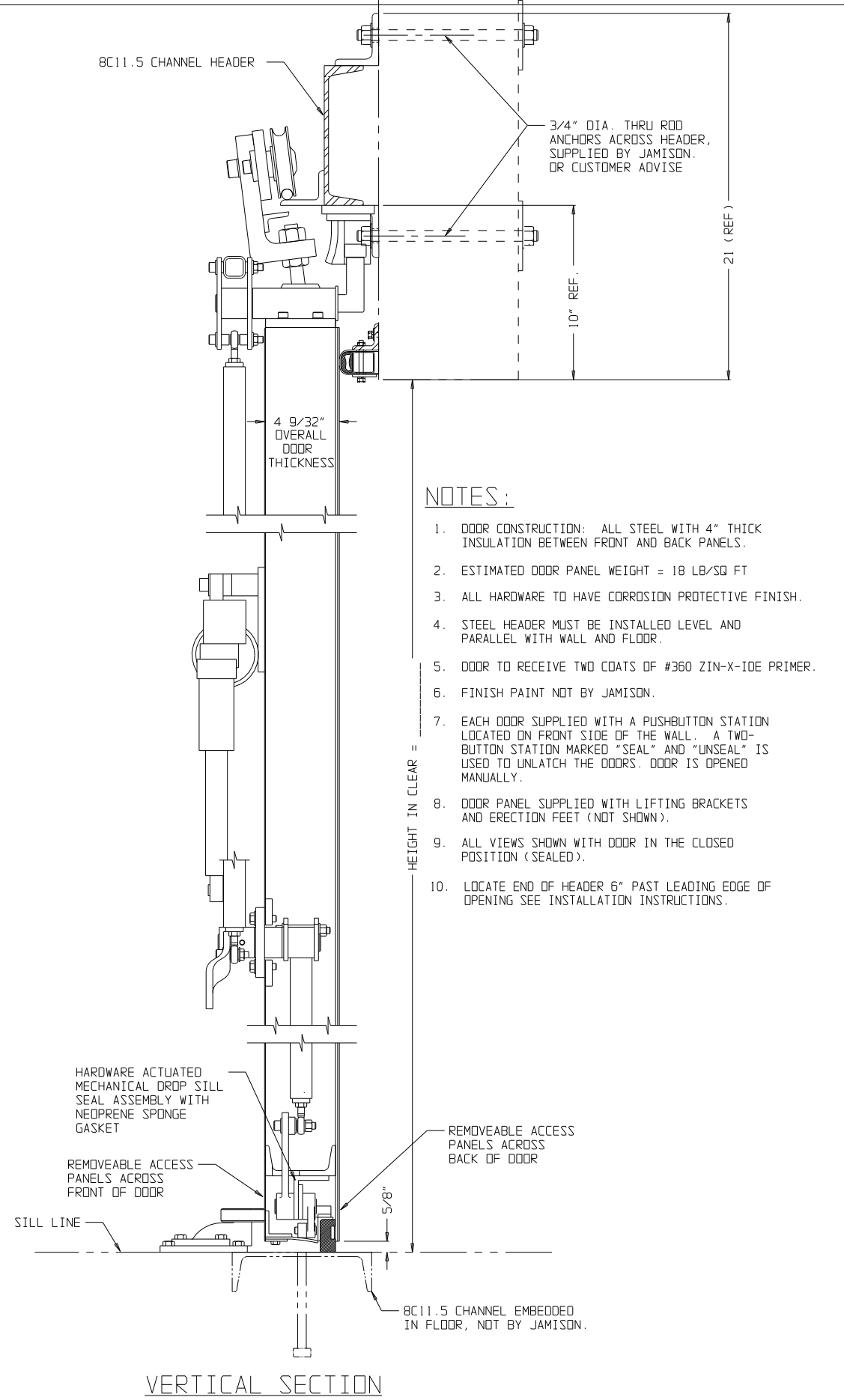


FRONT ELEVATION  
R.H. SLIDE DOOR SHOWN - L.H. SLIDE DOOR OPPOSITE



HORIZONTAL SECTION



VERTICAL SECTION

NOTES:

1. DOOR CONSTRUCTION: ALL STEEL WITH 4" THICK INSULATION BETWEEN FRONT AND BACK PANELS.
2. ESTIMATED DOOR PANEL WEIGHT = 18 LB/SQ FT
3. ALL HARDWARE TO HAVE CORROSION PROTECTIVE FINISH.
4. STEEL HEADER MUST BE INSTALLED LEVEL AND PARALLEL WITH WALL AND FLOOR.
5. DOOR TO RECEIVE TWO COATS OF #360 ZIN-X-10E PRIMER.
6. FINISH PAINT NOT BY JAMISON.
7. EACH DOOR SUPPLIED WITH A PUSHBUTTON STATION LOCATED ON FRONT SIDE OF THE WALL. A TWO-BUTTON STATION MARKED "SEAL" AND "UNSEAL" IS USED TO UNLATCH THE DOORS. DOOR IS OPENED MANUALLY.
8. DOOR PANEL SUPPLIED WITH LIFTING BRACKETS AND ERECTION FEET (NOT SHOWN).
9. ALL VIEWS SHOWN WITH DOOR IN THE CLOSED POSITION (SEALED).
10. LOCATE END OF HEADER 6" PAST LEADING EDGE OF OPENING SEE INSTALLATION INSTRUCTIONS.

NO. H4424015

ALL DIMENSIONS EXCEPT AS NOTED TO BE IN INCHES  
TOLERANCE ON FRACTIONAL DIMENSIONS: 1/16" EXCEPT AS NOTED  
TOLERANCE ON DECIMAL DIMENSIONS: 0.005" EXCEPT AS NOTED

SCALE(S): NONE		JOB NAME	
DATE: 00-00-00	DRAWN: -		
CHECKED: -	APPROVED: -		
TITLE: MANUAL SLIDING POWER LATCHING HORIZONTAL SLIDING STC "51" SOUND REDUCTION DOOR		DATE	BY
JAMISON DOOR COMPANY P. O. BOX 70 HAGERSTOWN, MARYLAND 21741		SUBJECT	
		NO. H4424015	