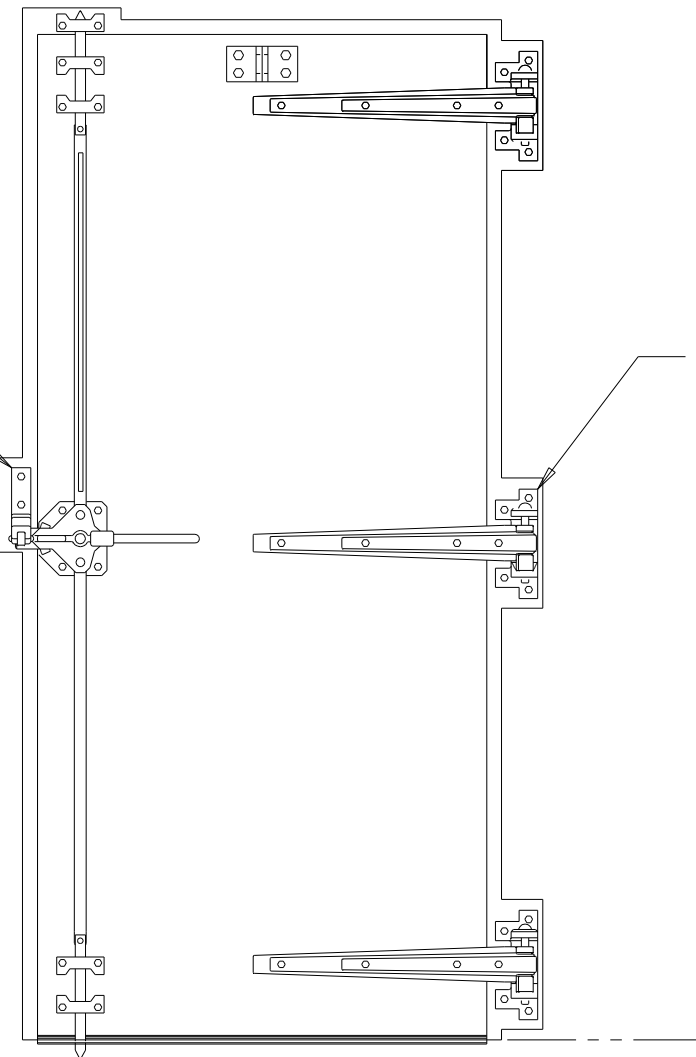


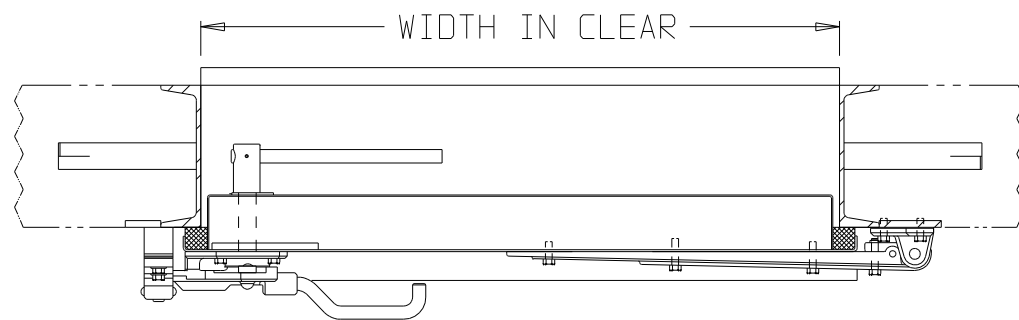
JAMISON #4175
LATCH



JAMISON "JB"
SELF RISING HINGE

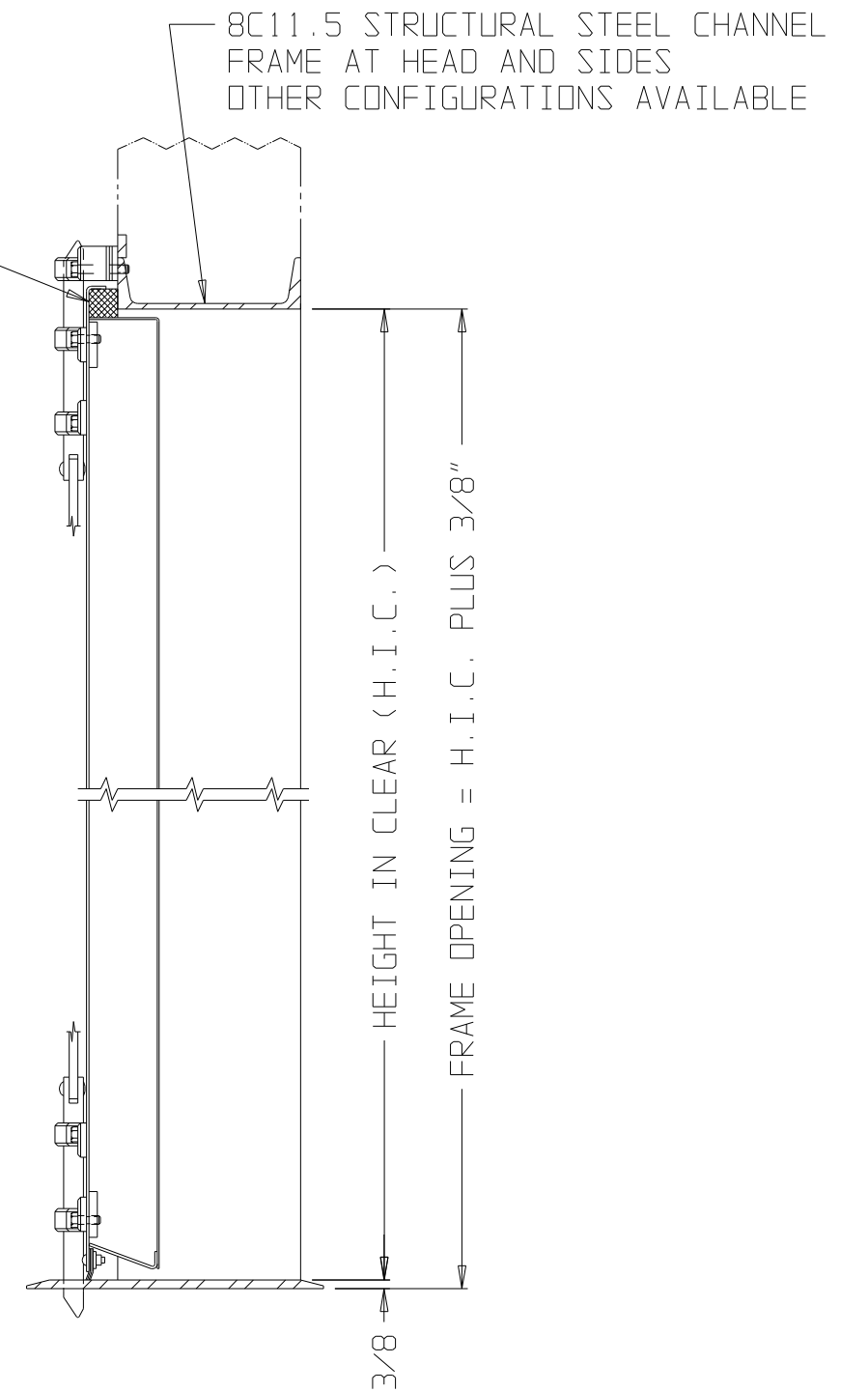
FRONT ELEVATION

R.H. SWING SHOWN - L.H. OPPOSITE



HORIZONTAL SECTION

NEOPRENE SPONGE GASKET
AT SIDES AND HEAD



VERTICAL SECTION

SCALE(S)	NONE	JOB NAME				
DATE	09-14-94	DRAWN	WBN			
CHECKED		APPROVED		LTR	DATE	BY
TITLE			REVISIONS			
JAMISON DOOR COMPANY P. O. BOX 70 HAGERSTOWN, MARYLAND 21741			SINGLE SWING STC 45 SOUND REDUCTION DOOR			NO. CH-4424-25