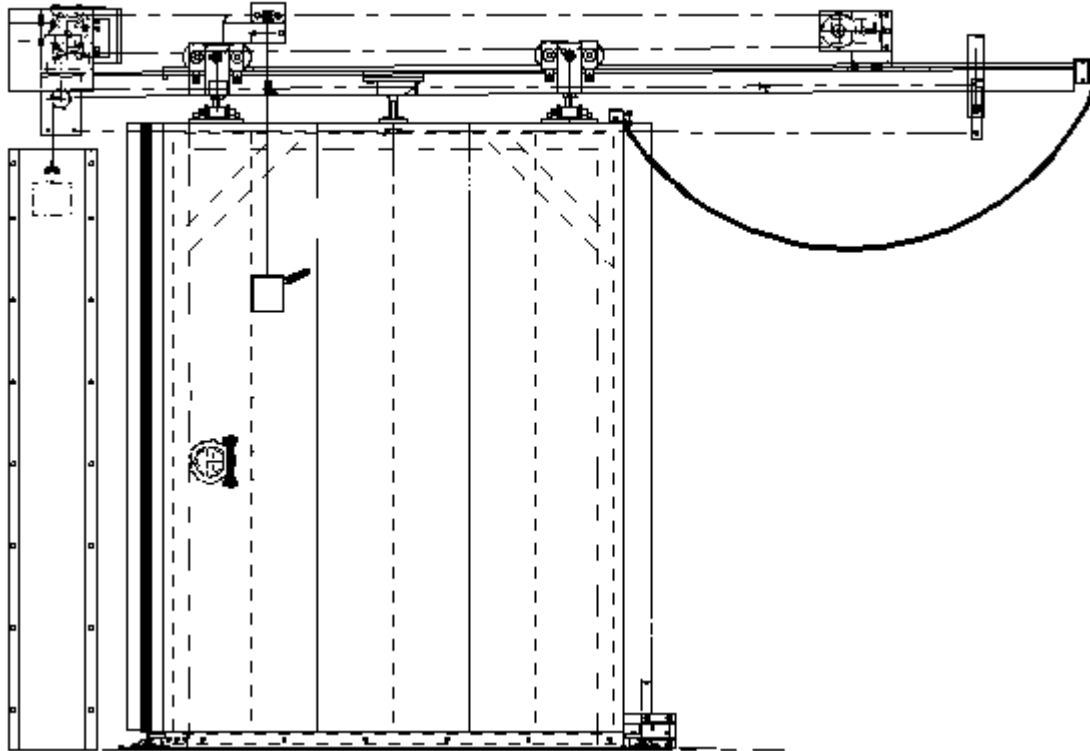


JAMISON

FIRETEMP DOOR

REPLACEMENT PARTS CATALOG



FOR MANUAL AND POWER DOORS

JAMISON DOOR COMPANY
P.O. BOX, HAGERSTOWN, MARYLAND, USA 21741-0070
CALL TOLL FREE 1-800-532-3667 OR 301-733-3100
FAX: 301-791-7339
INTERNET: <http://www.jamison-door.com>
E-MAIL: sales@jamison-door.com

THIS PAGE LEFT BLANK

CONTENTS

	Page
ORDERING INFORMATION	4
LABEL PLATES	5
HANGER BRACKETS	6
REVERSING EDGE	7
CHAIN LOCK ASSEMBLY	8
MANUAL RELEASE	9
LIMIT SWITCH	10
POWER UNIT	11
CONTROL PANEL	12
FRAME GASKET	13
PULL CORD	14
BINDERS	15
STAY ROLLERS	16
COUNTERWEIGHT	17
MISCELLANEOUS PARTS	18
DOOR GASKET	19

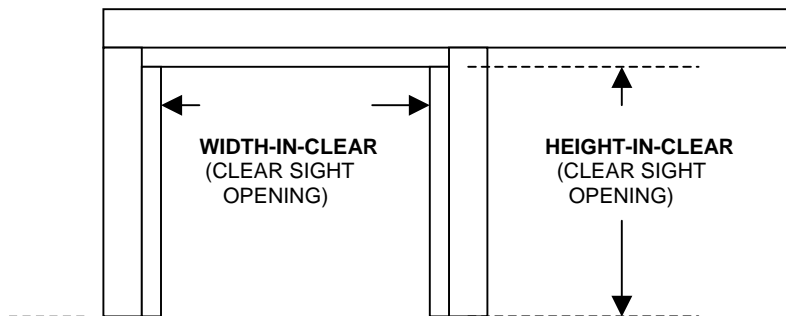
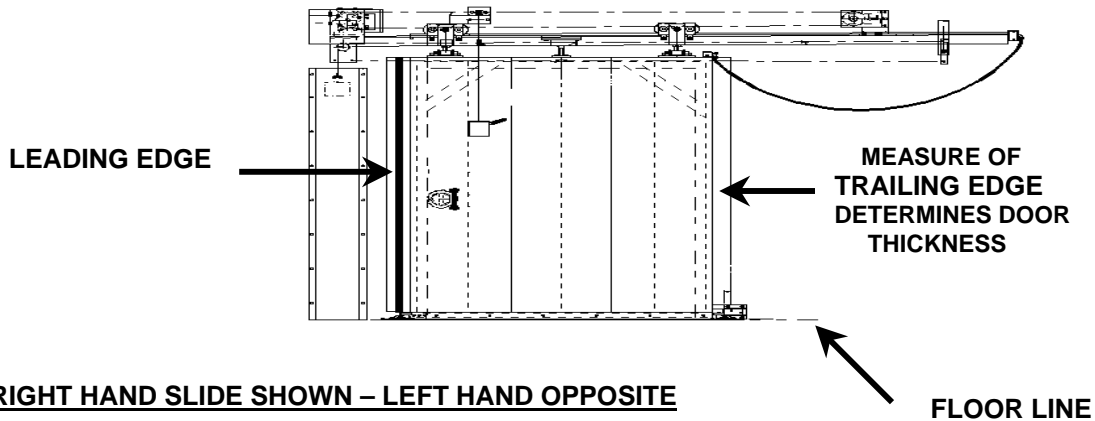
ORDERING INFORMATION

WHEN ORDERING

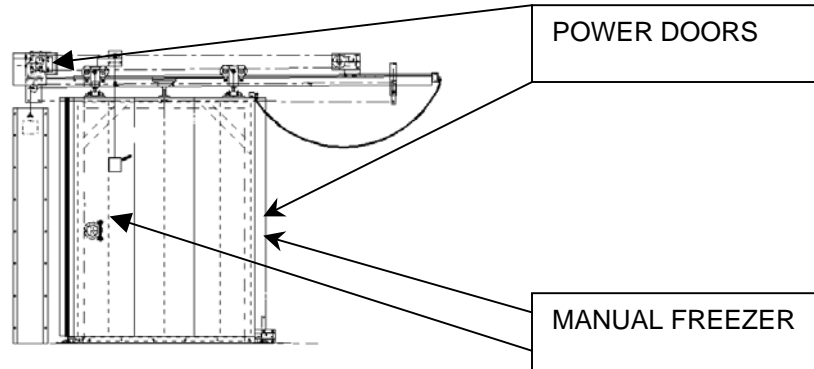
1. STATE PART NUMBER AND DESCRIPTION
(DO NOT USE ITEM NUMBER)
2. STATE MODEL NUMBER
3. STATE IDENTIFICATION NUMBER
4. STATE WIDTH-IN-CLEAR AND HEIGHT-IN-CLEAR

HOW TO DETERMINE

- A. LEADING EDGE
- B. TRAILING EDGE
- C. DOOR SLIDE
- D. WIDTH-IN-CLEAR
- E. HEIGHT-IN-CLEAR
- F. LABEL PLATES



LABEL PLATES



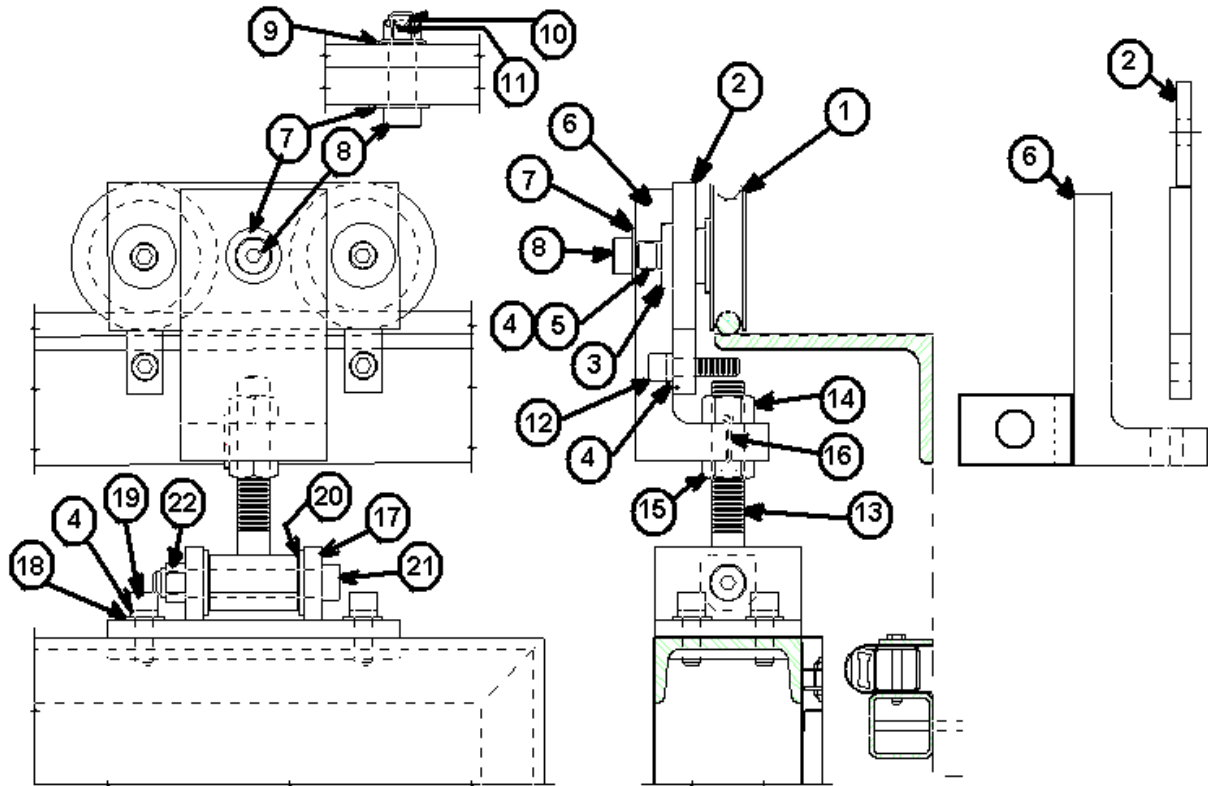
MODEL No.	<input type="text"/>
SERIAL No.	<input type="text"/> SERIES <input type="text"/>
POWER OPERATOR DATA	<input type="text"/> VOLTS AC
PHASE	<input type="text"/> HZ <input type="text"/> AMPS <input type="text"/>
RATING	<input type="text"/> FOOT LBS. PER SECOND
24 VOLT CONTROL CIRCUIT	
FROSTOP DATA:	120 VOLTS A.C.
TOTAL AMPS	<input type="text"/> TOTAL WATTS <input type="text"/>
JAMISON DOOR COMPANY P. O. BOX 70 HAGERSTOWN, MARYLAND 21741	

(A) MASTER LABEL PLATE
DH-4369136

SERIAL NO.
JAMISON DOOR COMPANY HAGERSTOWN, MD

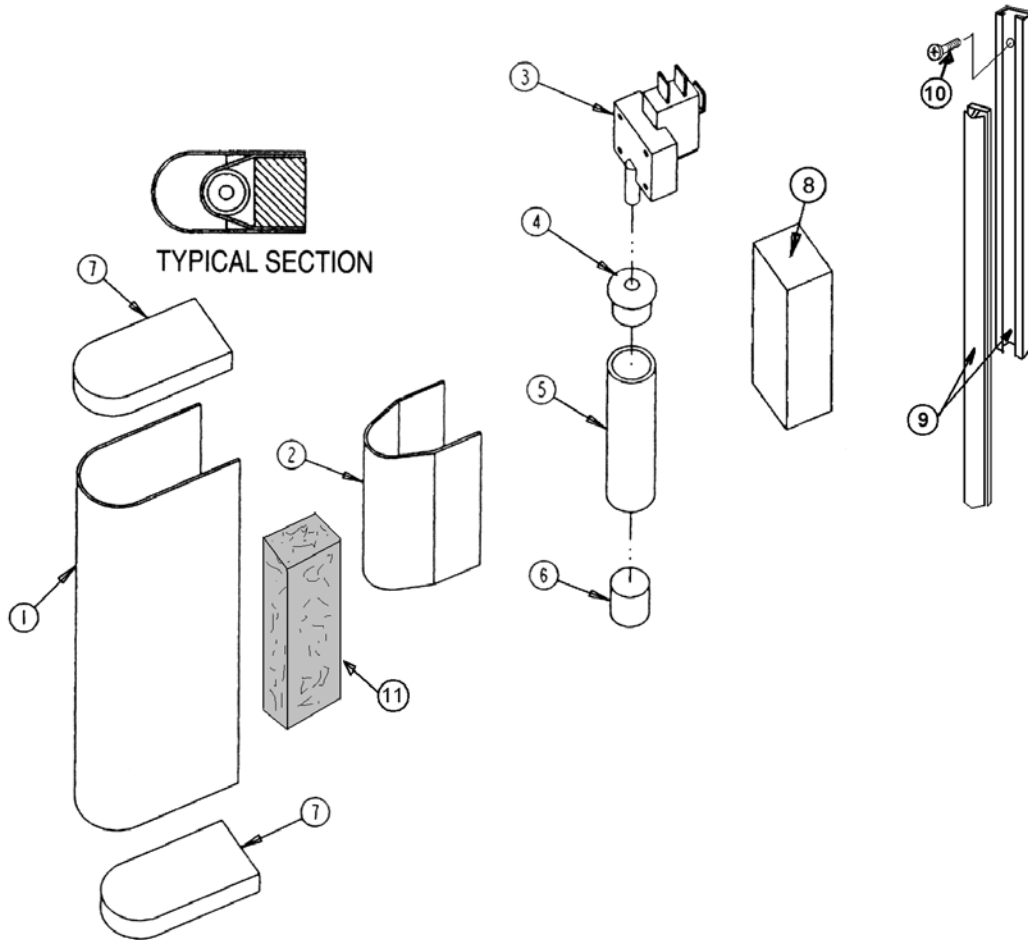
(B) SERIAL NUMBER PLATE

HANGER BRACKETS



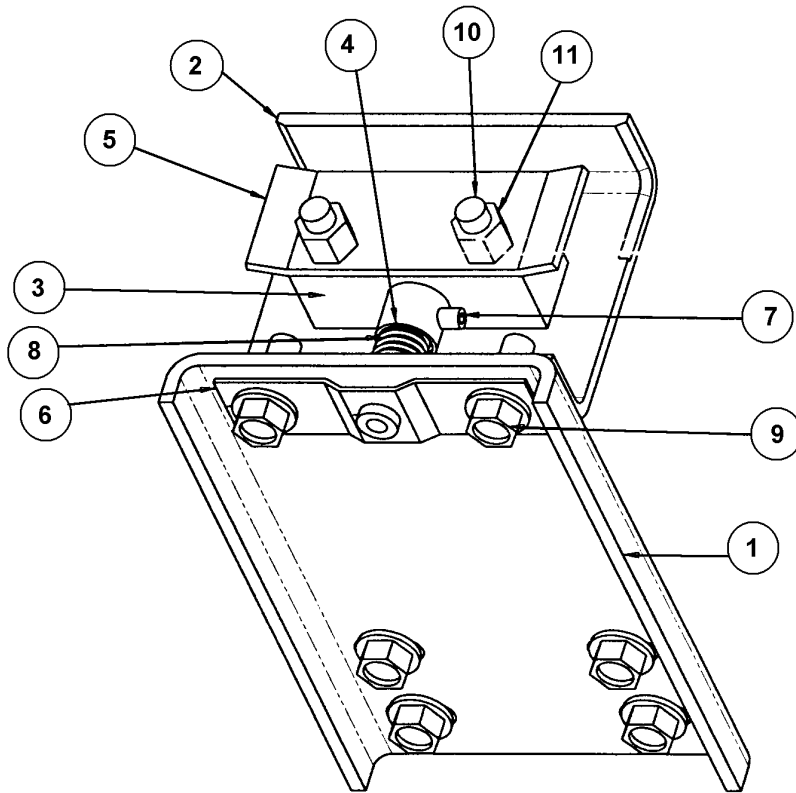
Ref. No.	Name of Part	Stock No.
1	Trolley Roller Assembly	486-059
2	Trolley Roller Mounting Bracket (Trailing Edge) (Leading Edge)	4422-013-01 4426-064-01
3	Trolley Wheel Spacer	4422-016-01
4	Lock Washer, High Collar Helical (1/2")	753-509
5	Cap Screw, Socket Head (1/2"-13 X 1-1/4")	761-016
6	Trolley Carrier Angle (Trailing Edge) (Leading Edge)	4422-012-01 4426-024-01
7	Washer, Flat Steel (1/2" o.d. X 13/16 i.d X 9/64")	753-021
8	Shoulder Bolt, Socket Head (3/4" X 1-3/4")	769-109
9	Washer, Bellville	753-909
10	Nut, Hex Slotted	752-126
11	Cotter Pin	754-309
12	Cap Screw, Socket Head (1/2"-13 X 2")	761-024
13	Adjusting Tee Assembly	4422-057-01
14	Nut, Heavy Hex Head (7/8"-9)	752-116
15	Nut, Hex Jamb (7/8"-9)	752-127
16	Cotter Pin (1/8" X 1-1/4")	754-307
17	Door Hanger Bracket	4422-015-01
18	Washer, Steel Flat (1-1/16" o.d. X 3-3/64" i.d. X 13 Ga.)	753-012
19	Cap Screw, Socket Head (1/2"-13 X 1-1/2")	761-023
20	Washer, Brass Flat (1-3/4" o.d. X 1-3/16" i.d. X .114)	753-251
21	Shoulder Bolt, Socket Head (3/4" X 3-3/4")	769-110
22	Lock Nut, Hex (5/8"-11)	752-206

REVERSING EDGE



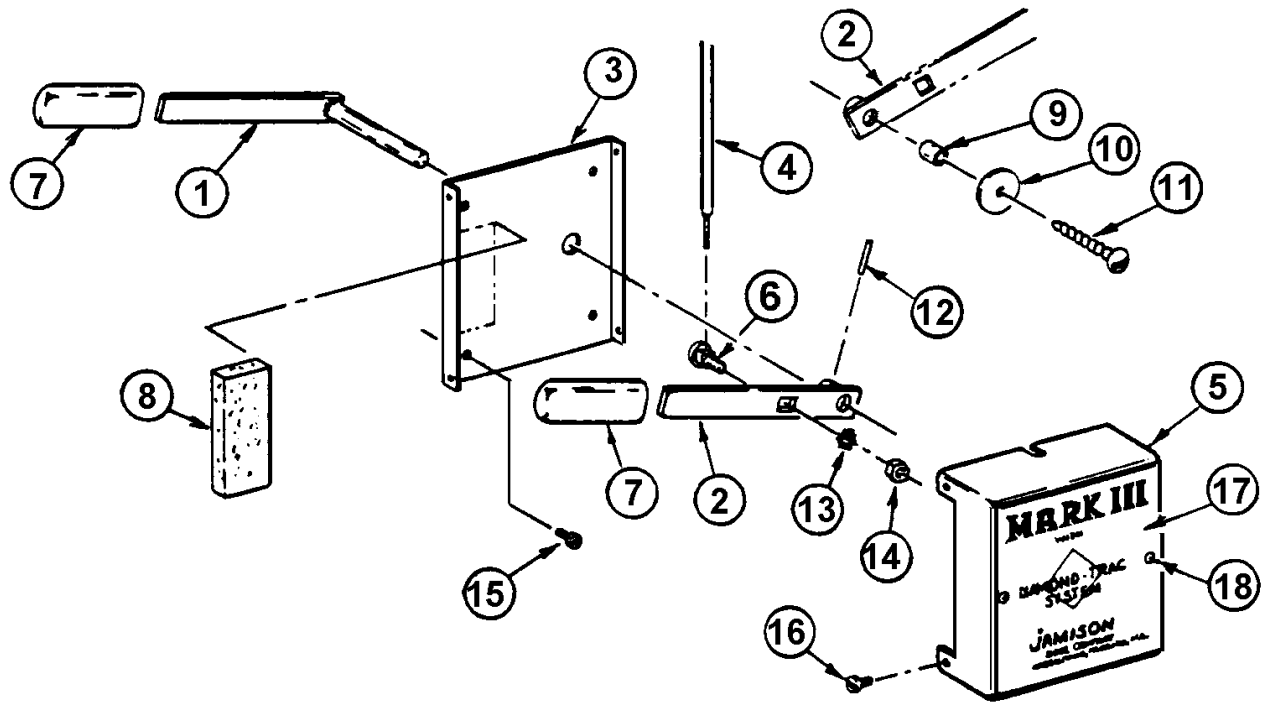
REF. NO.	NAME OF PART	STOCK NO.
	Complete Assembly (When Ordering Specify Door Model, Serial Number, Size, Slide and Finish)	4426-058-XX
1	Outer Gasket Wrapper (.035 X 1-1/2") (Specify Length Required)	552-157
2	Inner Wrapper (.035 X 3- 3/8")	552-161
3	Switch	113-113
4	Bushing	559-041
5	Hose (Specify Length Required)	559-100
6	End Plug (to be glued in place)	4390-167-01
7	Plug	4369-318-01
8	Sub Base (Specify Length)	019-001
9	Micro Reversing Edge and Retainer	119-112
10	Screw, Pan Head Type "F" (#10-24 X 1/2")	765-310
11	Rubatex R-411N (5/8" X 3/4" X HIC - 3")	512-005

CHAIN LOCK ASSEMBLY



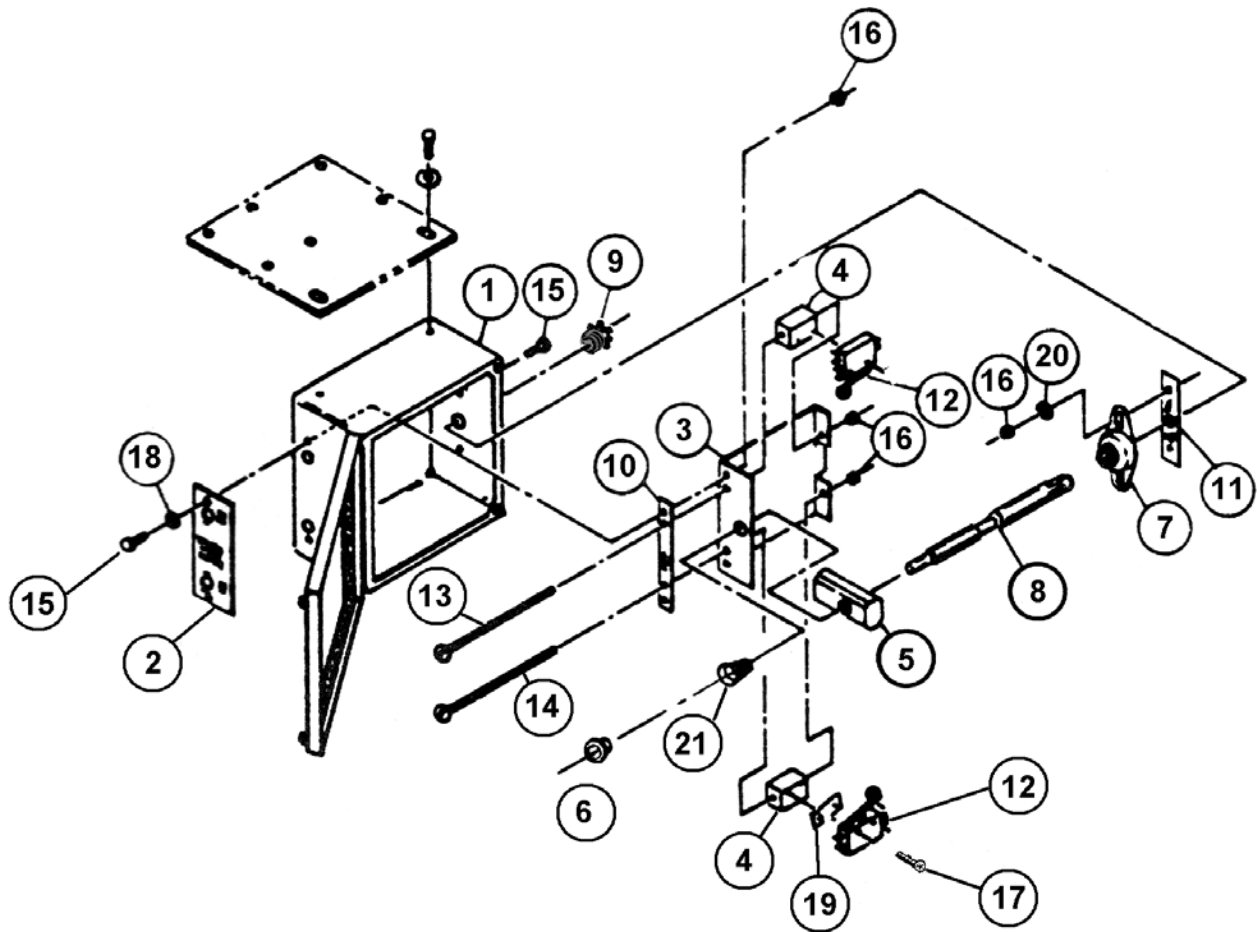
Ref. No.	Name of Part	Stock No.
1	Extension Bracket	4404-045-02
2	Chain Lock Base	4404-046-01
3	Guide Block	486-134
4	Plunger	486-135
5	Guide Plate	4404-290-01
6	Plate and Bushing Assembly	4404-186-01
7	Set Screw, Hex Socket (1/4"-20 X 5/8")	767-119
8	Stainless Spring	482-029
9	Machine Bolt, Hex Head Taptite (3/8"-16 X 1")	769-102
10	Machine Bolt, Hex Head (3/8"-16 X 2")	751-424
11	Nut, Hex Nylock (3/8"-16)	752-205

MANUAL RELEASE



Ref. No.	Name of Part	Stock No.
*	Complete Assembly with Thru Door Operator (4")	4404-079-02
1	Back Handle Assembly	4404-075-02
2	Front Handle	4404-071-01
3	Base Plate	4404-068-01
4	Disconnect Cable (Advise Height-in-Clear)	204-321
5	Front Cover	4404-069-01
6	Cable Retaining Bolt	4371-077-01
7	Handle Grip	489-114
8	Sponge Rubber (7/16" X 1-1/4" X 3-1/8")	512-004
9	Spacer	4404-076-01
10	Washer, Flat (1-1/4" X9/32" X 16 Ga.)	753-015
11	Screw (#14 X2")	766-602
12	Roll Pin (1/8" X 5/8")	754-050
13	Lock Washer, Star (5/16")	753-403
14	Nut, Hex (5/16"-18)	752-123
15	Screw, Self Tapping (#10-24 X 1/2")	765-310
16	Screw, Self Tapping (#6-32 X 3/8")	765-303
17	Nameplate	995-501
18	Pop Rivet (1/8" X 1/4")	755-357

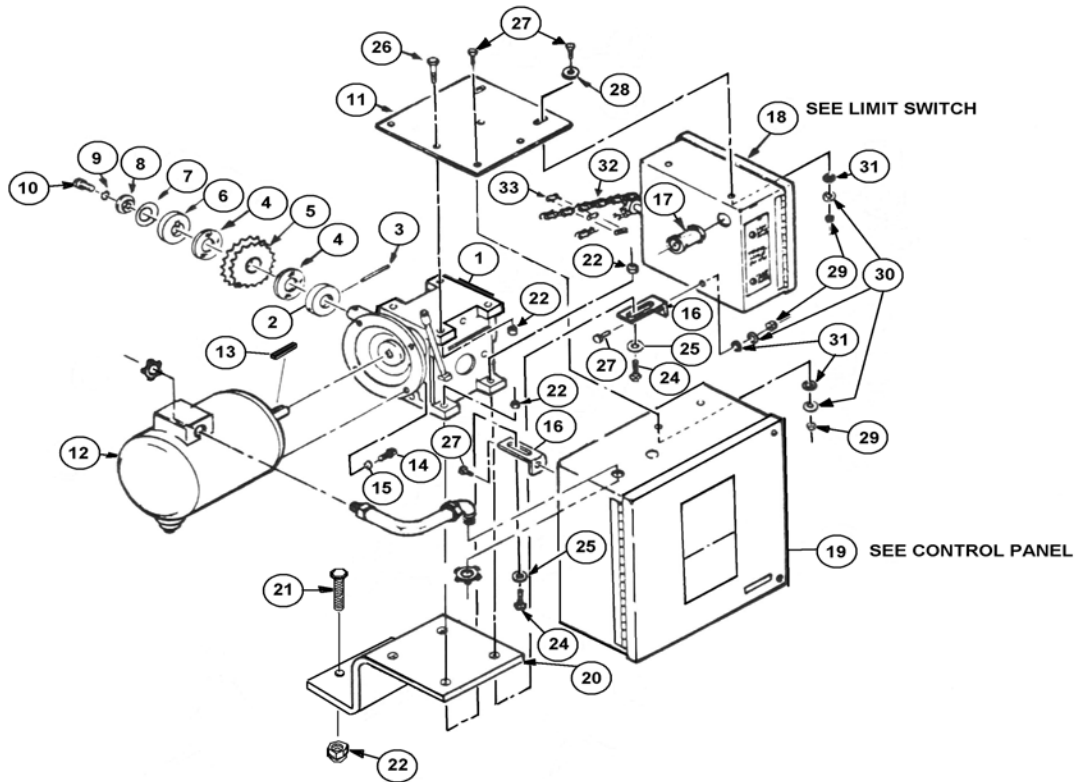
LIMIT SWITCH



Ref. No.	Name of Part	Stock No.
	Complete Limit Switch Assembly (NEMA 1)	4395-026-01
	Complete Limit Switch Assembly (NEMA 3,4 or 12)	4395-026-03
1	Housing (NEMA 3,4 or 12)	191-036
	Housing (NEMA 1)	486-118
	Housing (NEMA 4X)	191-039
2	Label	995-423
3	Base	4395-012-01
4	Limit Switch Mounting Block	934-003
5	Actuator Block	934-004
6	Flange Bearing	481-018
7	Pillow Block Bearing	481-250
8	Shaft	486-133
9	Sprocket	4395-018-01
10 *	Gasket (NEMA 3,4,4X or 12)	4395-019-01
11 *	Gasket (NEMA 3,4,4X or 12)	4395-020-01
12	Switch	113-009
13	Round Head Bolt (1/4"-20 X 6" Green)	764-137
14	Round Head Bolt (1/4"-20 X 6" Red)	764-137
15	Hex Head Bolt (1/4"-20 X 3/4")	751-402
16	Hex Lock Nut (1/4"-20)	752-203
17	Self Tapping Screw (6-32 X 1")	765-102
18	Flat Washer (1/2" X 9/32" X 16 Ga.)	753-151
19	Rubber Mounting Plate	4395-124-01
20	Flat Washer (5/8" X 9/32 X 16 Ga.)	753-002

Use No. 20 for Items 10 and 11 with NEMA 1.

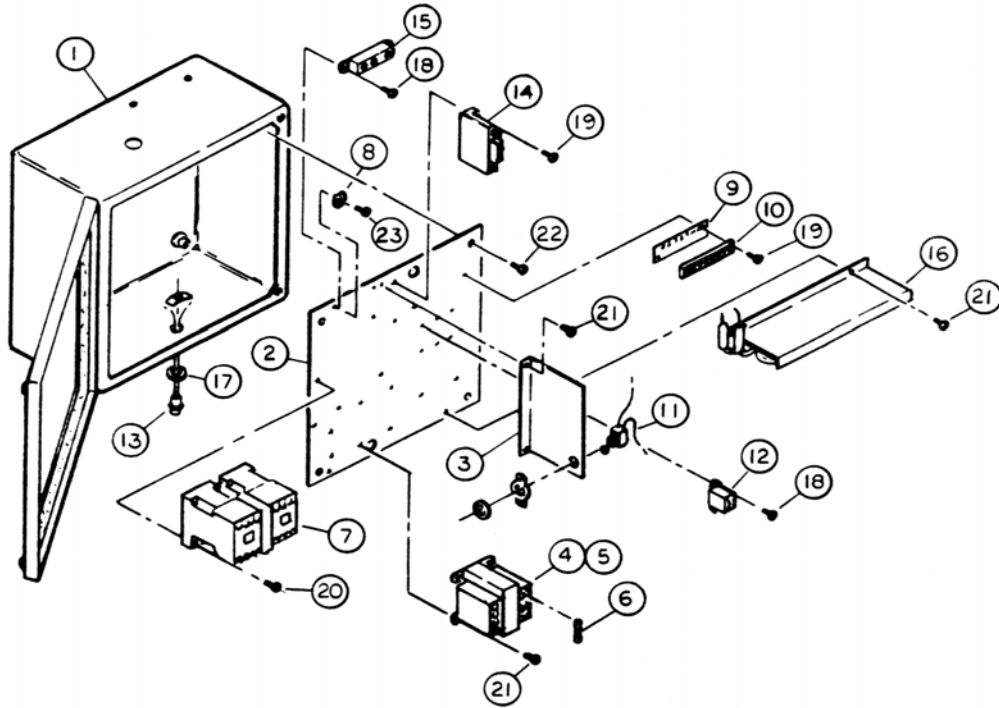
POWER UNIT



Ref.No.	Name of Part	Stock No.
1	Gear Box	201-102
2	Collar	4395-005-01
3	Roll Pin (3/16" X 2")	754-010
4	Friction Disc	991-200
5	Sprocket Assembly	4395-056-01
6	Tongued Disc	4395-008-01
7	Spring	753-908
8	Retainer	4395-009-01
9	Lock-washer Split (1/2")	753-505
10	Machine Bolt (with Locktite) (1/2"-13 X 1-1/2")	751-440
11	Mounting Plate	4395-028-01
12	Motor (115/230 Volt 1 Phase)	133-308
	Motor (208-230/460 Volt 3 Phase)	133-306
13	Key (1/8" X 1")	4277-329-01
14	Machine Bolt (3/8"-16 X 1")	751-420
15	Lock-washer Split (3/8")	753-503
16	Clip Angle	4395-027-01
17	Rubber Grommet	559-029
18	Limit Switch Assembly (See Limit Switch)	-----
19	Control Panel (See Control Panel)	-----
20	Support Angle	4318-519-01
21	Machine Bolt (3/8"-16 X 1-1/2")	751-422
22	Lock-nut, Hex (3/8"-16)	752-205
24	Machine Bolt (3/8"-16 X 2")	751-422
25	Flat Washer (13/16" X 13/32" X 16 Ga.)	753-006
26	Machine Bolt (3/8"-16 X 2")	751-424
27	Machine Bolt (1/4"-20 X 3/4")	751-402
28	Flat Washer (1-1/4" X 9/32 X 16 Ga.)	753-015
29	Lock-nut, Hex (1/4"-20)	752-203
30	Flat Washer (5/8" x 9/32" X 16 Ga.)	753-002
31	Rubber Washer (11/16" x 9/32" x 1/16")	559-026
32	Limit Switch Chain (Specify Quantity)	202-004
33	Connecting Link (#40 1/2" Pitch)	202-005

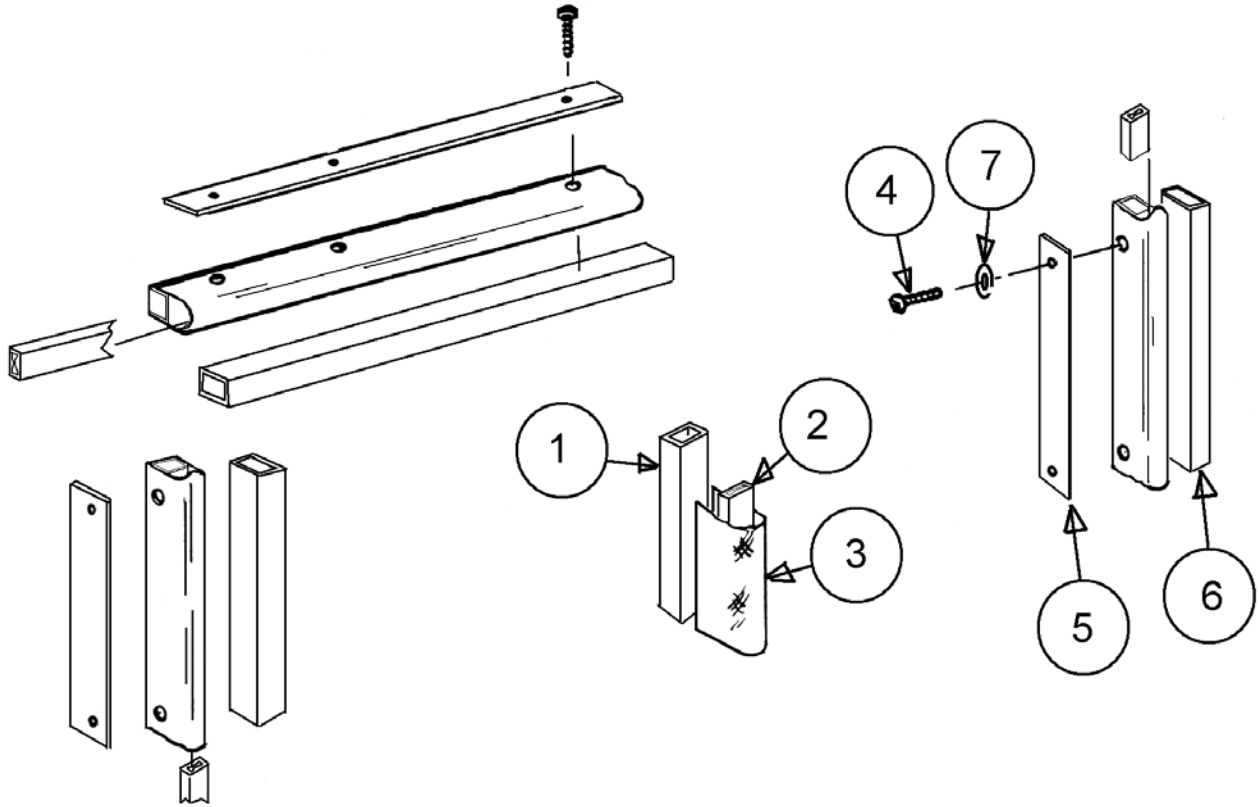
CONTROL PANEL

CONTROL PANEL POWERTRON (STANDARD TYPE)



REF. NO.	NAME OF PART	STOCK NO.
	Complete Control Panel Assembly (Give Model Number & Serial Number)	4390-238-XX
*1	(Specify NEMA 1,3,4,4X or 12)	
	Housing – NEMA 3,4 or 12	191-037
	Housing – NEMA 1	486-117
	Housing – NEMA 4X	191-040
2	Mounting Plate	4390-237-01
3	Baffle	4390-122-01
4	Transformer (240/480 Primary – 24 Volt Secondary)	115-106
5	Transformer (120/208/380 Primary – 24 Volt Secondary)	116-103
7	Reversing Edge	111-037
8	Brass Cup Washer	753-905
9	Marker Strip	191-508
10	Terminal Strip	191-505
11	Stop switch	113-108
12	Relay	111-029
13	Pilot Light (120 V or 240V)	4290-073-01
	Pilot Light with Resistor (480V)	4290-073-03
14	Time Delay	111-227
15	Thermostat (80°) Optional	114-005
16	Heater 20 watt) Optional	4369-044-01
*17	Rubber Washer (11/16" X 9/32" X 1/16")	559-026
18	Self Tapping Screw (6-32 X 3/8")	765-303
19	Self Tapping Screw (6-32 X 1/2")	765-304
20	Self Tapping Screw (6-32 X 5/8")	765-305
21	Self Tapping Screw (8-32 X 3/8")	765-306
22	Round Head Machine Screw (10-32 X 3/8")	764-136
23	Self Tapping Screw (10-24 X 1/2")	765-301
	* NEMA 3,4 or 12 Only	

FRAME GASKET



Ref. No.	Name of Part	Stock No.	Drawing No.
1	Square Steel Tubing (1-1/4" X 1-1/4" X 16 Ga.)	Special	4426-007
2	Gasket, Hollow Low Temp (5/8" X 1-1/4")	Special	4426-007
3	Loaded Vinyl (72 oz. X 5-5/8")	Special	4426-007
4	Hex Head Machine Bolt (1/4"-20 X 2")	751-406	
5	Hot Rolled Steel Flat (1/8" X 1-1/2")	Special	4426-007
6	Square Steel Tubing (1-3/4" x 1-3/4" X 11 Ga.)	Special	4426-007
7			

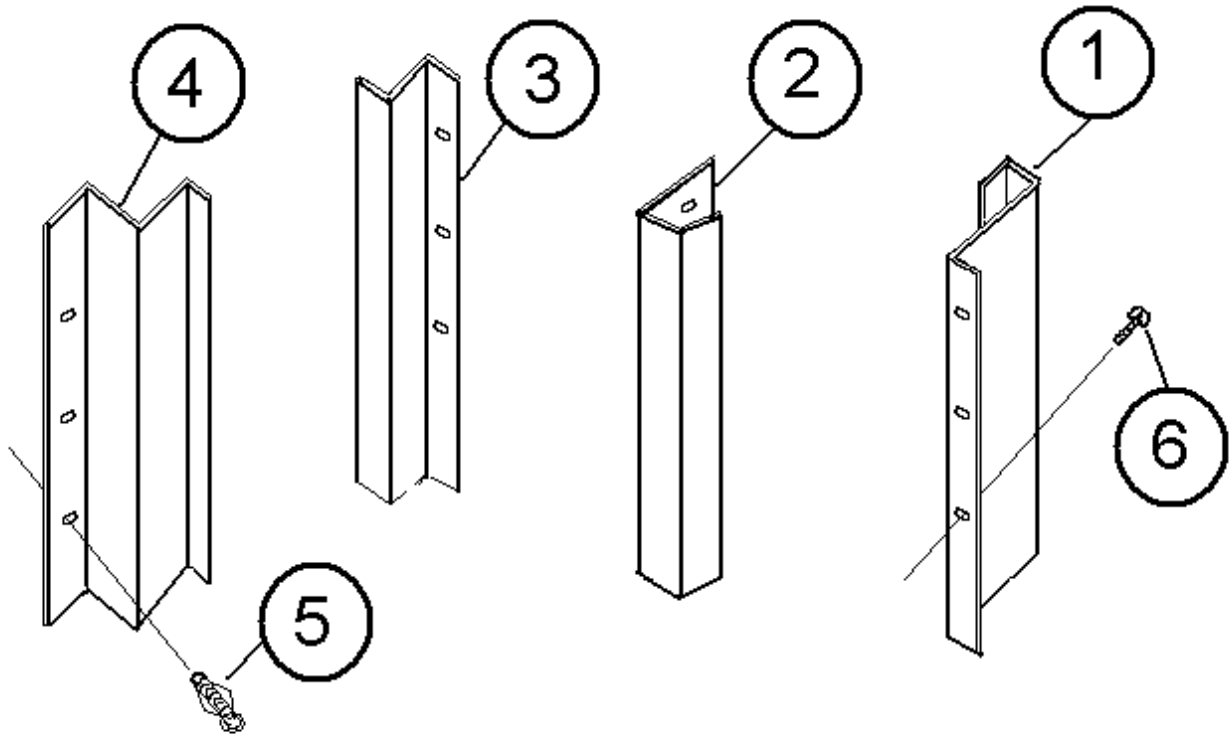
When Ordering- Specify Width-in-Clear and Height-in-Clear and Right, Left or Top Gasket

PULL CORD SWITCH



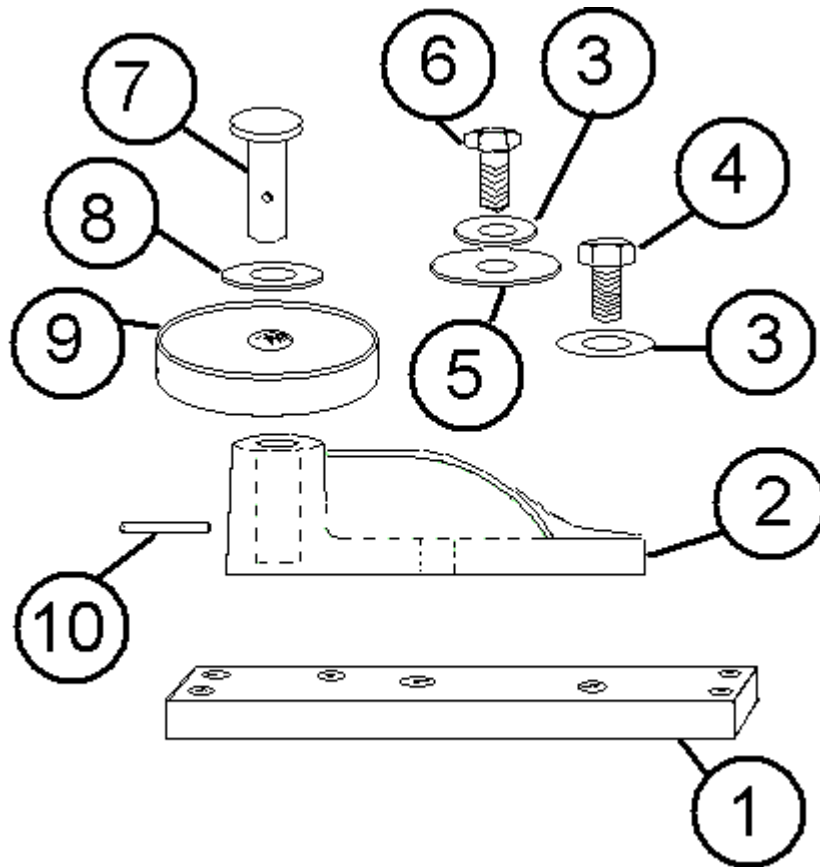
<u>REF. NO.</u>	<u>NAME OF PART</u>	<u>STOCK NO.</u>
	Complete WPS Switch Assembly (Without Heat)	113-218
	Complete WPS Switch Assembly (With Heat)	113-219

BINDERS



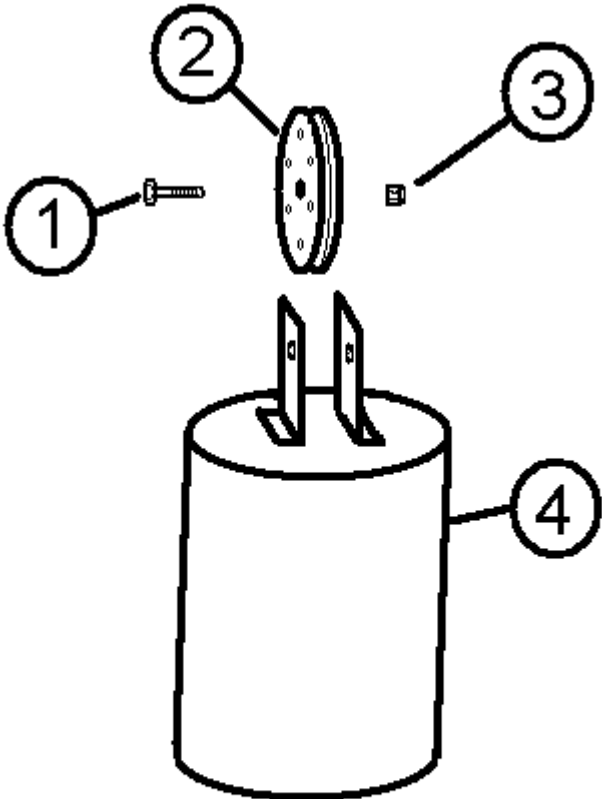
Ref. No.	Name of Part	Stock No.
1	Trailing Edge Door Binder (Specify Height-in-Clear)	4426-010
2	Trailing Edge Wall Binder (Specify Height-in-Clear)	4426-011
3	Leading Edge Door Binder (Specify Height-in-Clear)	4426-008
4	Leading Edge Wall Binder (Specify Height-in-Clear)	4426-009
5	Hex Head Masonry Anchor (3/8"x3")	759-047
6	Hex Head Tapite (3/8"-16 x 1")	769-102

STAY ROLLER ASSEMBLY



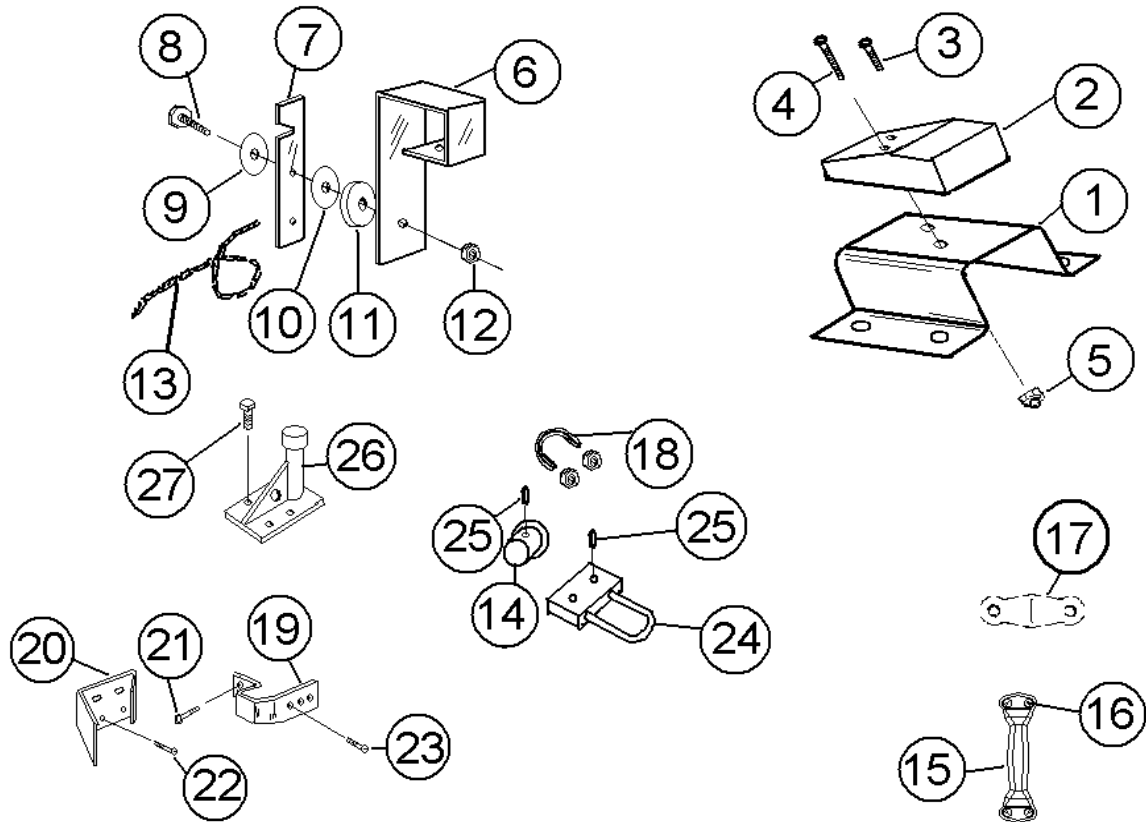
Ref.No.	Name of Part	Stock No.
1	Anchor Plate	4290-197-02
2	Stay Roller Casting	4290-125-01
3	Washer, Steel Flat (1"x7/16"x16 Ga.)	753-009
4	Hex Head Machine Bolt (3/8"-16x3/4")	751-419
5	Washer, Steel Flat (1-3/4"x13/32"x1/8")	753-022
6	Hex Head Machine Bolt (3/8-16x1")	751-420
7	Clevis Pin (1/2" Diameter x 2-3/16")	754-214
8	Washer, Steel Flat (1-1/8"x9/16"x1/16")	753-014
9	Stay Roller Wheel	489-153
10	Roll Pin (3/16"x7/8")	754-006

COUNTERWEIGHT



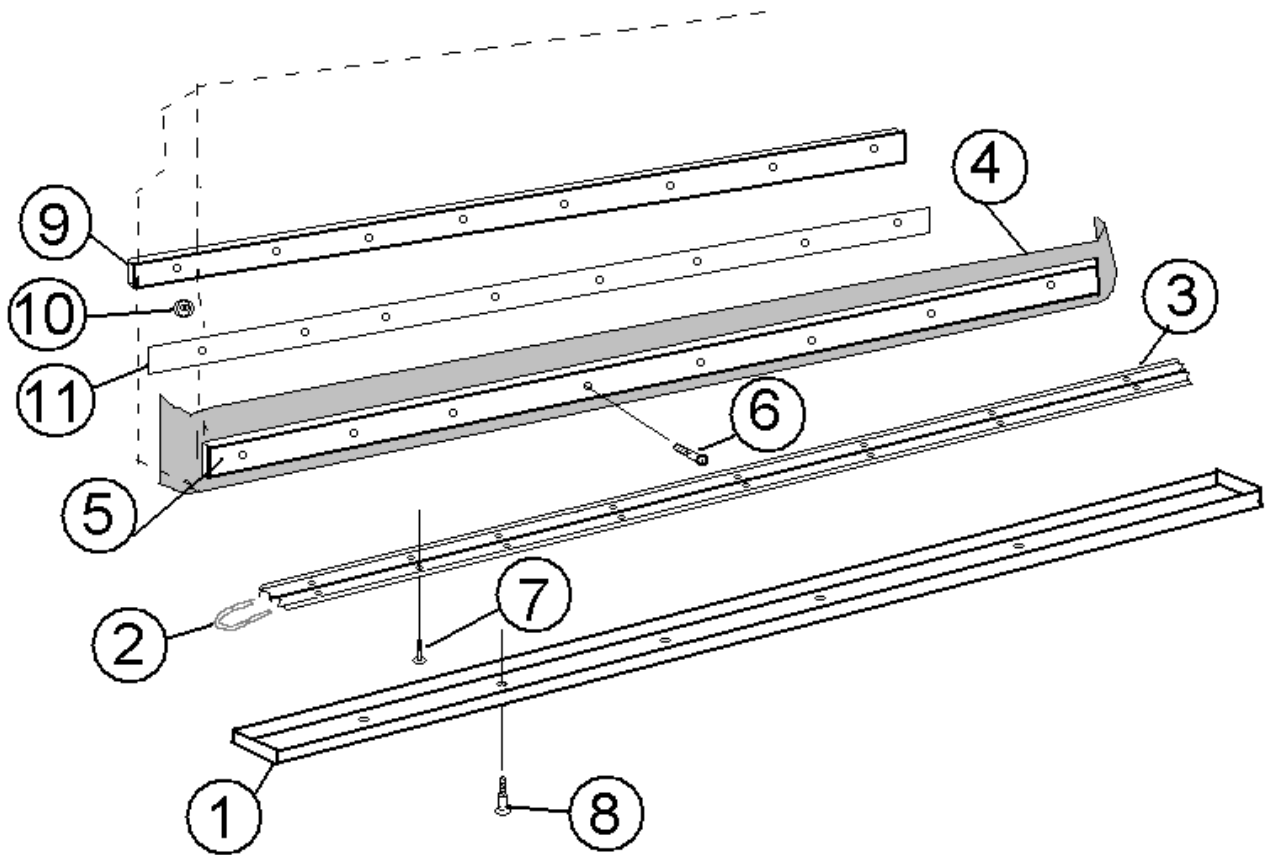
Ref. No.	Name of Part	Stock No.
1	Hex Head Machine Bolt (3/8"-16x2")	751-424
2	Sheave Pulley	205-017
3	Locknut (3/8"-16)	752-205
4	Counterweight (Specify Door Serial Number)	4426-067

MISCELLANEOUS PARTS



Ref. No.	Name of Part	Stock No.
	Trip Arm Assembly	4426-030-01
1	Trailing Edge Frame Wedge Mounting Bracket	4422-022-01
2	Trailing Edge Frame Wedge	931-012
	Trailing Edge Frame Wedge Shim (Not Shown)	4422-023-01
3	Flat Head Machine Screw (1/4"-20X1-1/4")	764-209
4	Flat Head Machine Screw (1/4"-20X1-1/2")	764-250
5	Locknut, Nylon Insert (1/4"-20)	752-203
6	Trip Arm Support Bracket	4426-030-xx
7	Trip Arm	4426-029-xx
8	Hex Head Machine Bolt (5/16"-18x1-1/2")	751-413
9	Washer, Steel Flat (1-3/8"x41/64"x13 Ga.)	753-020
10	Washer, Steel Flat (1-1/4"x9/32"x16 Ga.)	753-015
11	Trip Arm Spacer	4426-034-xx
12	Locknut (5/16"-18)	752-204
13	Aircraft Cable 7-19 (1/8" Dia.) (Specify Door H.I.C and W.I.C.)	204-320
14	Fusible Link Cable Pick-up Collar	4426-025-01
15	Front Door Pull	251-010
16	Flat Head Machine Screw (1/4"-20X3/4")	764-207
17	Fusible Link (45 lb. Weight limit)	489-174
18	Cable Clamp (1/8")	204-306
19	Leading Edge Wedge	4290-196-01
20	Trailing Edge Wedge	4290-235-01
21	Hex Head Taptite (1/4"-20X1")	769-103
22	Hex Head Taptite (3/8"-16X1")	769-102
23	Flat Head Machine Screw (1/4"-20X3/4")	764-207
24	Manual Release Fixture (Power Doors Only)	4426-068-01
25	Set Screw Cup Point (1/4"-20X3/8")	767-116
26	Center Sealing Roller	4426-006-xx
27	Hex Head Machine Bolt (1/2"-13X1-1/2")	751-440

DOOR GASKET



Ref. No.	Name of Part	Stock No.
1	Bottom Pan (Specify Width-in-Clear)	4426-022-XX
2	Heater Wire (Specify Height-in-Clear and Width-in-Clear and Door Thickness)	Special
3	Wire Guide (Specify Width-in-Clear)	4404-241-XX
4	Vinyl Strip Wiper Gasket (1/16"X2-3/8"X W.I.C.x 2 +20")	552-401
5	Front Strafing Bar (Specify Width-in-Clear)	4426-012-XX
6	Flat Head Machine Screw (1/4"-20X3/4")	764-207
7	Pan Head Screw (#8-32X7/8")	765-104
8	Pan Head Screw (1/4"-20X1")	765-108
9	Rear Strafing Bar (Specify Width-in-Clear)	4426-013-XX
10	Rear Strafing Bar Spacer	4426-014-XX
11	Rear Gasket Retainer (Specify Width-in-Clear)	4426-021-XX