

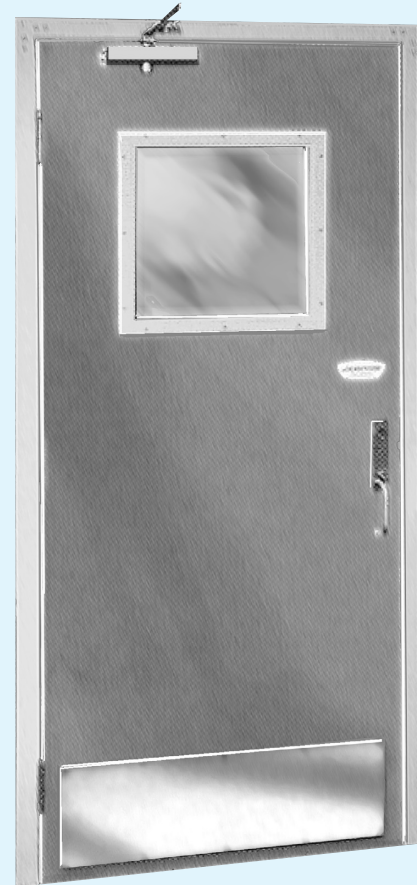
JAMOLITE® III

ARCHITECTURAL STYLE THIN (1 3/4") SWINGING COOLER DOOR

- *Fiberglass Reinforced Plastic*
- *One-Piece Pultruded Frame Sections*
- *R-12 Insulation Value*
- *Superior Corrosion Resistance*
- *Smooth, Clean Appearance*
- *Builders' Hardware*

Left Hand Reverse Swing
Door shown with
Optional View Window

**FIRE RATED DOOR
UP TO 90 MINUTE RATING
See Option 8.**



SPECIFICATIONS:

Supply where indicated on plans Jamison Jamolite® III Cooler Door. Door shall be 1-3/4" thick with white fiberglass reinforced plastic (FRP) panels and end grain balsa wood core. Fiberglass resin edges shall be a nominal thickness of 3/8", and be machined for accuracy and smoothness. Reinforcement at hinged edge of door shall consist of a 16 gauge steel plate encapsulated in resin.

Door panels shall be molded from premium grade resin reinforced with hand-laid fiberglass mat, nominal 1/8" thick with a gel coat surface

of no less than 25 mil. The ratio of glass to resin shall be 30% to 70% to maintain superior strength and obtain an R-Value of no less than 12. All resins shall be premium grade iso-polyester, USDA and FDA approved. Vinyl ester resins may be used in extremely corrosive environments.

Frame shall conform with SDI (Steel Door Institute) specifications and shall be comparable in strength to a 16 gauge hollow metal door frame. Frame shall be assembled using one-piece FRP pultrusion, be no less than 3/16" thick

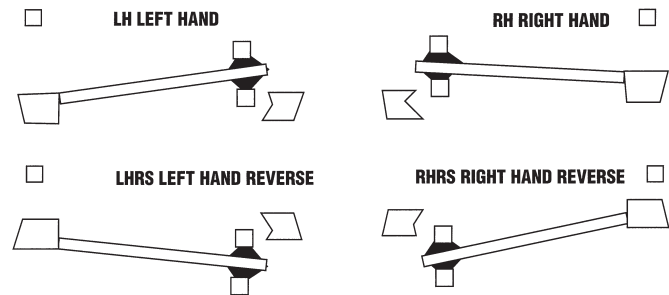
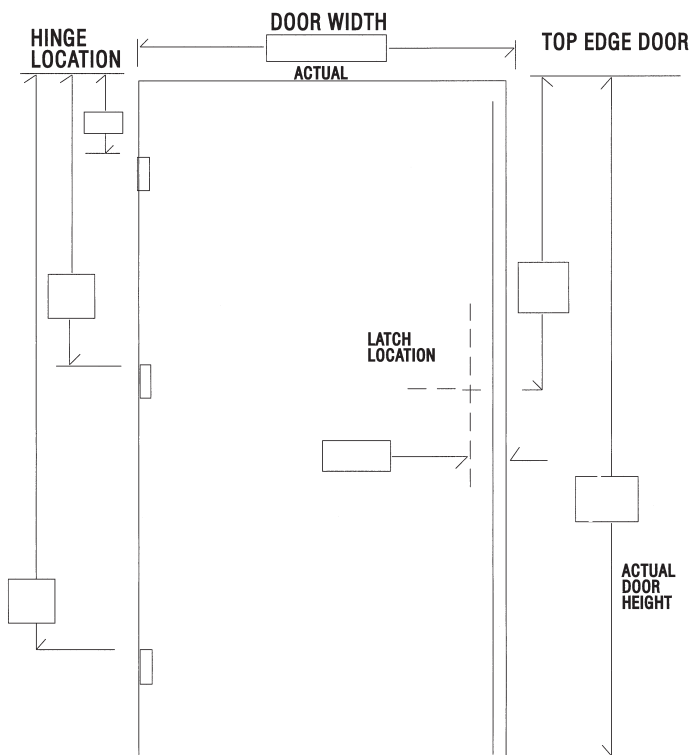
and have an industry standard 2" face with a 5-3/4" profile. Frames shall be pigmented white throughout entire thickness. Thresholds shall be of one piece FRP construction, and shall be removable.

Hardware shall be furnished with the hardware manufacturer's installation instructions enclosed in the original box. The installing contractor shall be responsible for proper installation of all hardware once received at the job site.

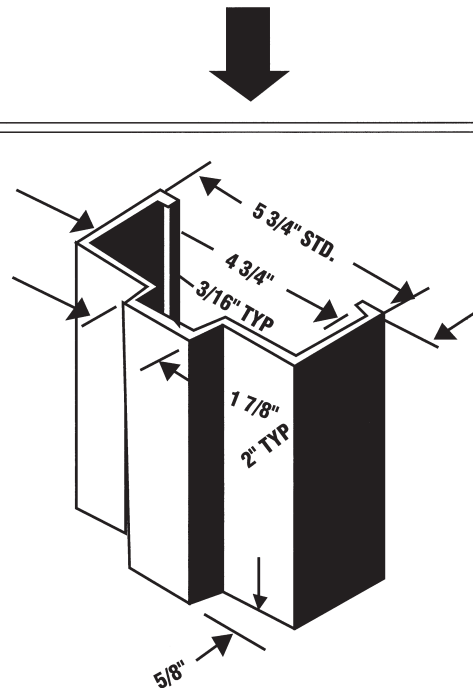
OPTIONS: (SPECIFY which options are desired):

1. Stainless Steel Hardware:
Hinges, 4 1/2" x 4 1/2" full mortise, ball bearings.
Door Closer, standard or heavy duty.
Push/Pull set, 3 1/2" x 15".
Passage or Lockset type knobs, standard or heavy duty.
Exit devices, RIM panic type, with or without locking, with or without handle and thumb latch.
2. One piece construction windows and louvers of pultruded FRP. Safety glass or polycarbonate glazing, single pane or insulated. (Standard sizes - 12" x 12"; 18" x 18"; 24" x 24" or 24" x 30")
3. Fire retardant resins, flame spread 25 or less per ASTM-E84, self extinguishing per ASTM-D635.
4. Transoms, similar in construction, material, thickness and reinforcement of door.
5. Kick plate, #20 gauge.
6. Wide variety of colors available.
7. Double Door available.
8. Fire Rated Door available:
 - a. up to 90 minute rating
 - b. door closer
 - c. #16 gauge steel frame
 - d. positive latch
 - e. view window (100 square inches or less)

DOOR HAND & BEVEL



EXTERIOR



INSTALLATION POINTS:

- Once received on job site, all damage to crating shall be reported to the freight company. All materials shall be stored in original crating, on end in such a manner as to prevent damage to corners and edges.
- Use masonry T-Straps or wire straps in new construction for ease of installation of frame.
- Install doors and frames in accordance with Jamison instructions and applicable portions of SDI-100. If opening is in a cold storage area, prepare any exposed bucks with suitable preservative to prevent moisture penetration into buck. Vapor seal all bolts, lags, and joints with suitable caulking compound.
- Install frames plumb and square. Attach securely to structure before removing spreader bars.
- Coordinate installation of glazing and louvers.
- Do not cut or otherwise alter the integrity of the door to allow the door to fit the frame. Contact Jamison for instructions.
- Install hardware in accordance with manufacturer's instructions located in original boxes.

SPECIALY ENGINEERED DOORS BY
JAMISON

Jamison Door Company • P. O. Box 70 • Hagerstown, MD 21741-0070
 Call Toll Free • 1-800-532-3667 or 301-733-3100
 FAX 301-791-7339
 INTERNET: <http://www.jamisondoor.com>
 E-MAIL: contact@jamisondoor.com