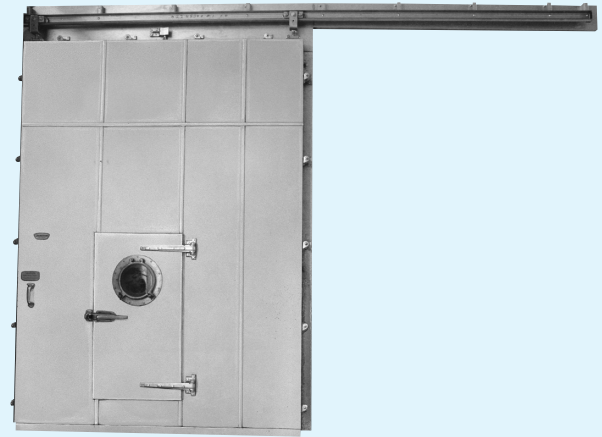


MARK IV CA CONTROLLED ATMOSPHERE

SINGLE LEAF HORIZONTAL SLIDING MANUALLY OPERATED DOOR

- *White Metal Clad Finish*
- *Diamond-Trac® System*
- *Five Year Warranty*



Shown with optional wicket door and optional view window

COOLER DOOR SPECIFICATIONS:

Supply where indicated on plans Jamison Mark IV CA Controlled Atmosphere Manual Single Leaf Horizontal Sliding Cooler Door, with Diamond Trac® System*.

Door leaf to have aluminum extruded structure and to be metal clad with #26 gauge white pre-painted stucco embossed steel front and back. Frame (casings and header) to be metal clad on all exposed surfaces with #26 gauge white pre-painted stucco embossed steel.

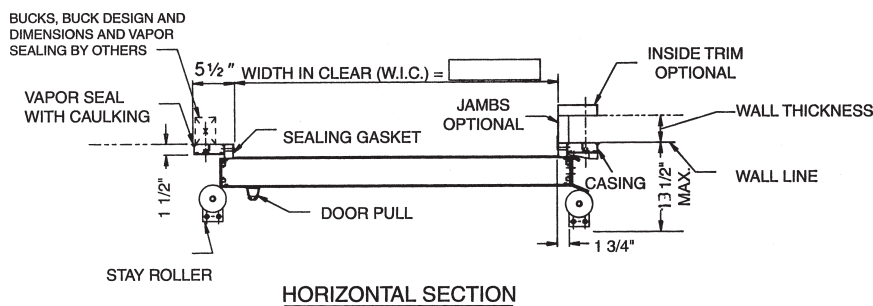
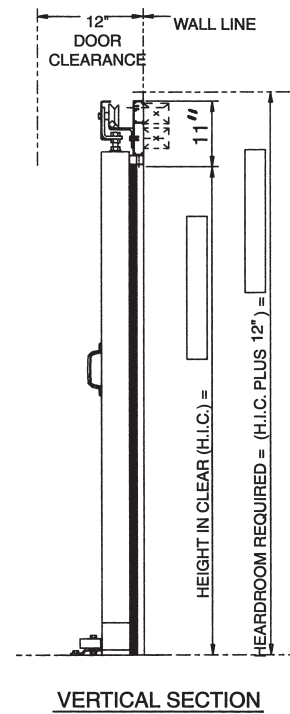
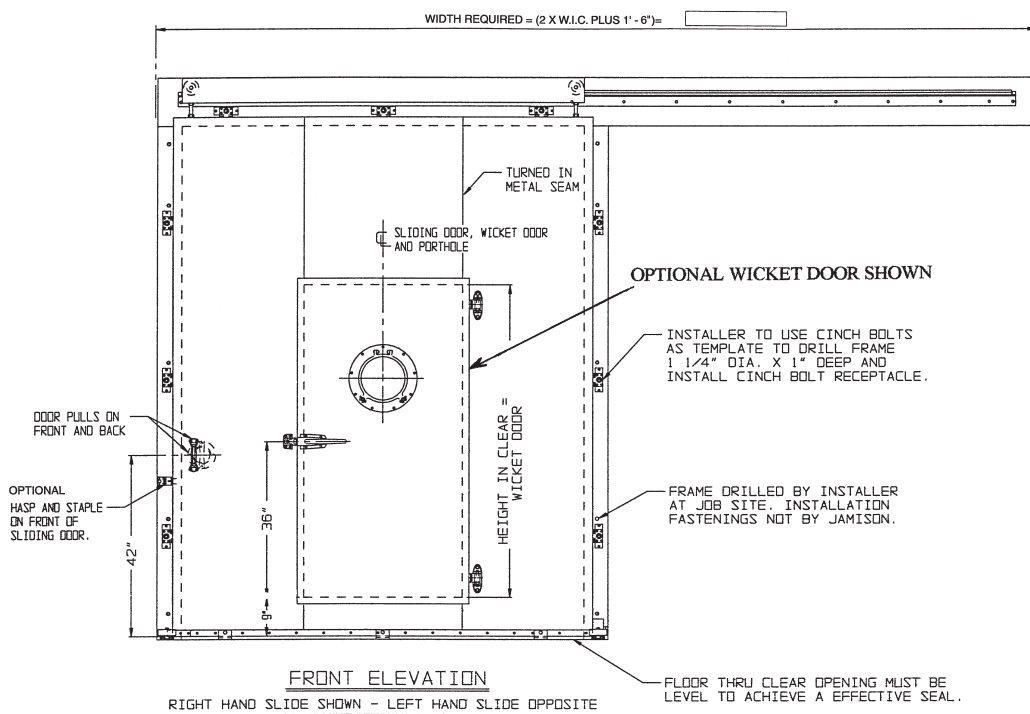
Door leaf to be filled with 4" of Jamifoam non-CFC polyurethane insulation with an R value of 28 at 40°F.

Door gaskets to be compression type at sides, head and sill of frame. Sill gasket assembly to be designed to provide positive seal at bottom of door on back, during long term storage. Sealing angle to be easily removed to allow smooth passage of traffic during loading and unloading operations.

Hardware to have protective coating against corrosion. Heavy duty locking bolts to be provided for positive sealing during storage.

OPTIONS: (SPECIFY which options are desired):

1. Metal cladding can be stainless steel, stucco aluminum, galvanized, or galvanized steel painted to meet specifications.
2. If stainless steel construction, appropriate hardware components can be chrome plated and/or stainless steel.
3. Padlocking provisions (contact factory for specific recommendations).
4. Swinging wicket door.
5. Jambs.
6. Inside trim.
7. Mirror image frame.
8. View Windows: (contact factory for specific recommendations.) 10" diameter hinged porthole type window with 3/8" thick clear glass and adjustable wing nuts to control rate of oxygen entry.



SIZES AVAILABLE

Standard sizes up to and including 11'0" width in clear x 14'0" height in clear. Door sizes 8'0" x 8'0" and above may be split due to shipping regulations.

INSTALLATION POINTS:

1. Bucks should be installed true, plumb and square and of sufficient size to accommodate door weight. Wood bucks should be painted with a suitable preservative to protect against moisture penetration into wood.
2. Hardware and track are factory mounted for easy field erection.
3. Installation instructions are shipped with the door.
4. After erection and adjustment of door and frame for plumbness and squareness, final mechanical adjustments should be made for tight seal.
5. All bolts, lags, and joints between buck and door frame should be vapor sealed with silicone caulking.
6. Drawings for buck suggestions and bumper post location to protect frame available on request.

SPECIALY ENGINEERED DOORS BY
JAMISON

Jamison Door Company • P. O. Box 70 • Hagerstown, MD 21741-0070
 Call Toll Free • 1-800-532-3667 or 301-733-3100
 FAX: 301-791-7339
 INTERNET: <http://www.jamisondoor.com>
 E-MAIL: contact@jamisondoor.com