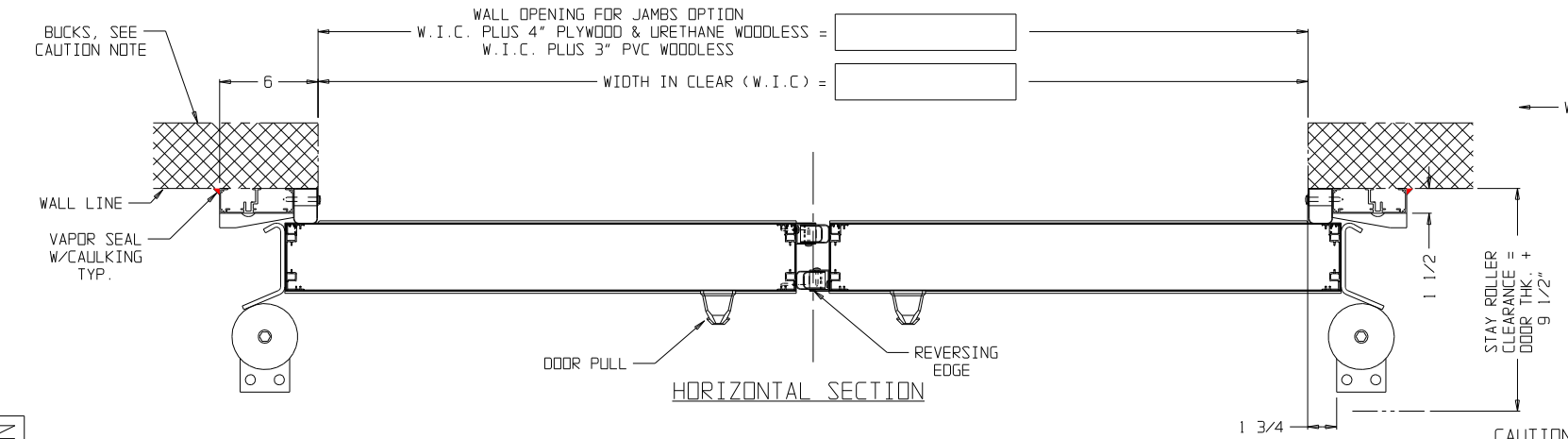
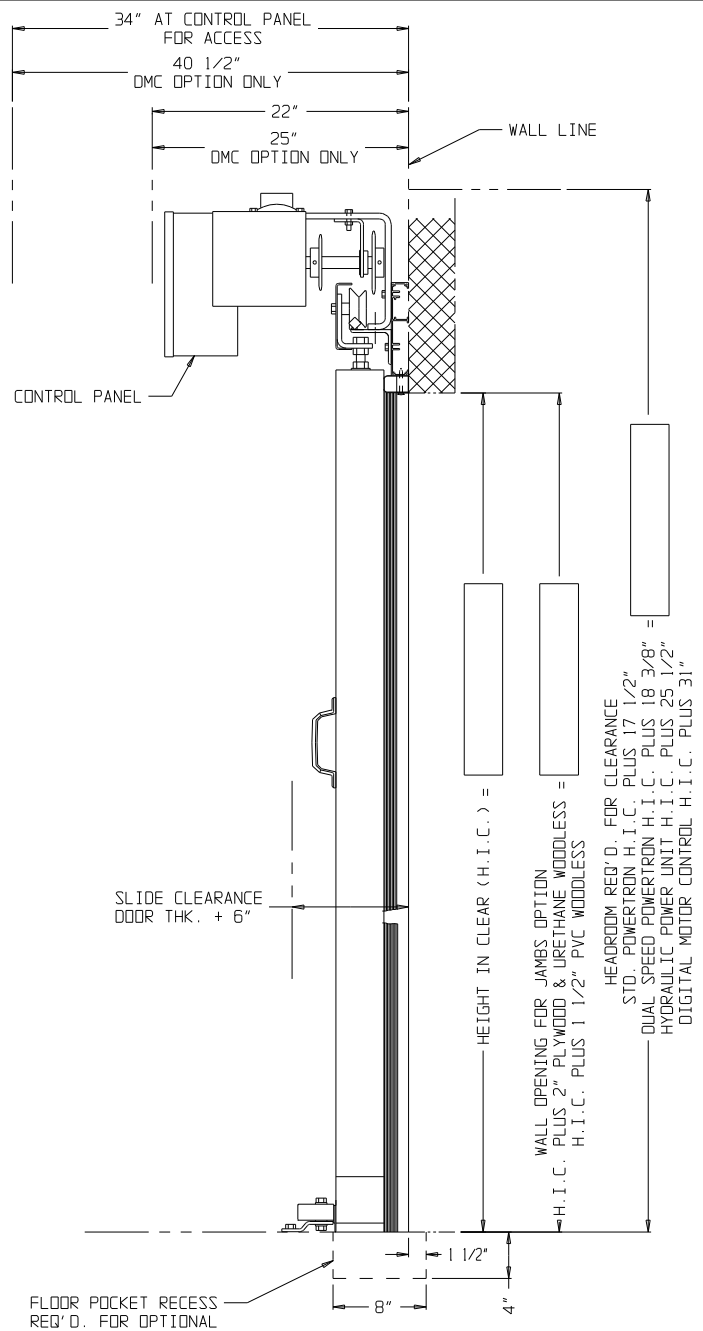


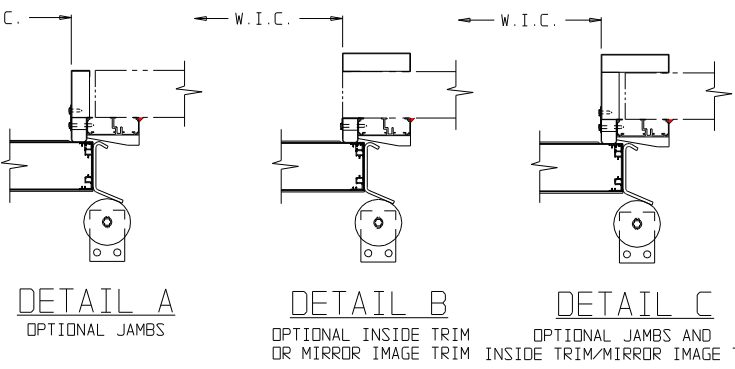
FRONT ELEVATION



HORIZONTAL SECTION



VERTICAL SECTION



DETAIL A
OPTIONAL JAMBS

DETAIL B
OPTIONAL INSIDE TRIM OR MIRROR IMAGE TRIM

DETAIL C
OPTIONAL JAMBS AND INSIDE TRIM/MIRROR IMAGE TRIM

CAUTION

NOTE-1. DO NOT SCALE DIMENSIONS.

NOTE-2. DO NOT SCALE BUCKS. BUCK SIZE AND DESIGN BY OTHERS GOVERNED BY DOOR SIZE, WALL CONSTRUCTION AND CEILING HEIGHT.

NOTE-3. GREATER CLEARANCE MAY BE REQ'D. AT SIDES AND/OR HEAD BY CERTAIN JOB CONDITIONS SUCH AS HIGHER SILL BEVEL OR OBSTRUCTIONS NECESSITATING COCKING OR TILTING FRAME INTO OPENING, ETC.

NOTE-4. BUCK SUGGESTIONS PER DRAWING BJ-9044-33.

DOOR NO.	QUAN.	SIZE IN CLEAR		ELECTRICAL DATA			*PADLOCKING PROVISIONS				TEMPERATURE CONDITIONS			
		W.I.C.	H.I.C.	VOLTS	HERTZ	PHASE	NO	FRONT	BACK	YES	NO	FRONT	BACK	

OPTIONS (CONTINUED)

AD. DOE COMPLIANT

NOTES:

- DOOR PANEL "JAMIFAM" POLYURETHANE INSULATED.
 - R32 @ 20+F 4" INSULATED
 - R48 @ 20+F 6" INSULATED
 - A. COOLER DOOR 4" STD.
 - B. FREEZER DOOR 4" STD.
 - C. FREEZER DOOR 6" STD.
- DOOR #26 GAUGE GALVANIZED STUCCO EMBOSSED STEEL WITH BAKED-ON WHITE ENAMEL FINISH. FRAME: ALUMINUM STRUCTURE WITH BAKED-ON WHITE FINISH.
 - OPTIONAL:
 - A. GALVANIZED STUCCO EMBOSSED STEEL DOOR W/GRAY FINISH FRAME: ALUMINUM STRUCTURE
 - B. STAINLESS STEEL DOOR WITH STAINLESS STEEL CLAD FRAME
 - C. PAINTED STEEL DOOR AND FRAME - COLOR:
 - D. STUCCO ALUMINUM DOOR WITH GRAY FINISH ALUMINUM FRAME
 - E. WOOD STRUCTURE FRAME - CLAD WITH #24 GAUGE STEEL
 - F. OTHER, SPECIFY
- DOOR HARDWARE AND TRACK TO HAVE CORROSION PROTECTIVE FINISH - STANDARD
 - OPTIONAL - CHROME/STAINLESS HARDWARE
- FRAME FASTENERS
 - A. 3/8" X 4" LONG LAGS
 - B. 3/8" DIA ALL THREAD THRU ROD
 - C. STAINLESS FINISH (STANDARD WITH STAINLESS FRAMES)
 - D. OTHER (SPECIFY WALL THICKNESS)
- COOLERS SUPPLIED WITH TWO REMOTE PULL CORD SWITCHES (24V) AND PLASTIC PULL CORD. FREEZERS SUPPLIED WITH ONE HEATED SWITCH (120 VAC REQ'D) AND ONE STANDARD SWITCH. WIRING BETWEEN SWITCHES & CONTROL PANEL NOT BY JAMISON.
- INSTALLER TO CONNECT ELECTRICAL POWER TO CONTROL PANEL AND END OF HEADER ON FREEZER DOORS (120 V.) THROUGH DISCONNECT SWITCHES. SWITCHES AND WIRING NOT BY JAMISON.
- FREEZER DOORS - FROSTOP AT FOUR SIDES OF DOOR, STANDARD.
- OPTIONS:
 - A. "FROSTOP" - 4 SIDES OF DOOR AND 4 SIDES OF FRAME.
 - B. JAMBS, SPECIFY WALL THICKNESS:
 - C. INSIDE TRIM (1-1/2" X 6" STD.)
 - D. MIRROR IMAGE FRAME
 - E. JAMB & TRIM CONSTRUCTION
 - PLYWOOD METAL CLAD
 - WOODLESS URETHANE
 - WOODLESS PVC
 - F. DOOR SEALED TO MEET M.I.D.
 - G. KICKPLATE, DOOR:
 - ALUMINUM DIAMOND TREAD, HEIGHT:
 - STAINLESS STEEL, GAUGE: HEIGHT:
 - G. KICKPLATE, FRAME -
 - ALUMINUM DIAMOND TREAD, HEIGHT:
 - STAINLESS STEEL, GAUGE: HEIGHT:
 - I. LEADING EDGE GUARD
 - 20 GA. STAINLESS STEEL HEIGHT:
 - 20 GA. GALVANIZED HEIGHT:
 - * J. PADLOCKING (SEE SCHEDULE)
 - K. HYDRAULIC POWER OPERATOR
 - L. DUAL SPEED POWER OPERATOR
 - M. DIGITAL MOTOR CONTROL "DMC"
 - N. CONTROL PANEL NEMA SPECIFICATION (NEMA 1 STD.)
 - 3, 4 OR 12 - SPECIFY
 - D. VIEW WINDOWS, SIZE 12" X 14" STD.
 - 2 LAYER (COOLER)
 - 3 LAYER (FREEZER)
 - OPTIONAL HEAT IN ABOVE
 - OTHER
 - P. PEDESTRIAN OPENING (36")
 - Q. TIME DELAY CLOSING (0-30 SEC.)
 - R. ELECTRIC EYE WITH OPTION "Q"
 - S. FLOOR LOOP KIT WITH OPTION "Q"
 - T. RADIO CONTROL, 1-TRANSMITTER
 - 1-RECEIVER
 - OTHER:
 - U. AIR CURTAIN RELAY
 - + V. JAMISSTAND SUPPORT SYSTEM
 - DRAWING NUMBER
 - W. HEATED GEARBOX, LIMIT SWITCH, AND CONTROL PANEL
 - X. HIGH HEAT INSULATION
 - Y. COIL CORD DROP LOOP
 - Z. HEAVY DUTY STAY ROLLERS
 - AA. SHORT HEADER
 - AB. LARGE REAR PULL
 - AC. OTHER

CUSTOMER: S/O

SCALE(S)	DATE	CHECKED	DATE	TITLE	DATE	BY	REVISIONS	DATE	BY	REVISIONS
NONE	18/31/17	XXX	18/24/16	MARK IV POWER OPERATED BI-PARTING DOOR	18/24/16	XXX	1			

JAMISON DOOR COMPANY
P.O. BOX 70
HAGERSTOWN, MARYLAND 21741

MARK IV
POWER OPERATED
BI-PARTING DOOR

NO. H4404860H

SCALE(S) NONE

DATE 18/31/17

CHECKED XXX

DATE 18/24/16

TITLE MARK IV POWER OPERATED BI-PARTING DOOR

DATE 18/24/16

BY XXX

REVISIONS

DATE 18/24/16

BY XXX

REVISIONS

DATE 18/24/16

BY XXX

REVISIONS

DATE 18/24/16

BY XXX

REVISIONS

NO. H4404860H