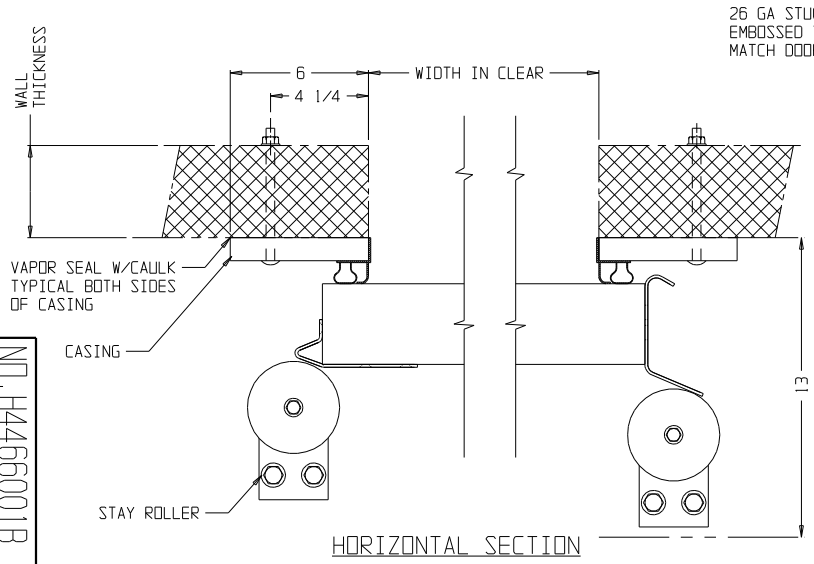
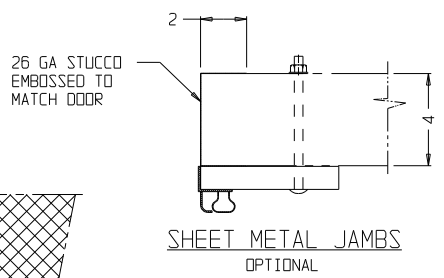


- NOTES:**
- DOOR PANEL "JAMIFOAM" POLYURETHANE INSULATED.
 - A. COOLER DOOR 3-1/2" STD. "R" VALUE 28
 - B. FREEZER DOOR 4" STD. "R" VALUE 32
 - DOOR: #26 GAUGE GALVANIZED STUCCO EMBOSSED STEEL WITH BAKED-ON WHITE ENAMEL FINISH. FRAME: #26 GAUGE GALVANIZED STUCCO EMBOSSED STEEL WITH BAKED-ON WHITE FINISH.
 - OPTIONAL:
 - A. DOOR AND FRAME: GALVANIZED STUCCO EMBOSSED STEEL SHEET W/GRAY FINISH
 - DOOR HARDWARE AND TRACK TO HAVE CORROSION PROTECTIVE FINISH - STANDARD
 - FRAME FASTENERS
 - 3/8" CARRIAGE BOLTS FOR 4" PANEL WALLS, STANDARD.
 - 8" LONG STANDARD, 10" LONG WITH MIRROR IMAGE
 - OPTIONAL:
 - A. 3/8" X 4" LONG LAGS
 - B. 3/8" DIA ALL THREAD THRU ROD
 - INSTALLER TO CONNECT ELECTRICAL POWER TO CONTROL PANEL AND END OF HEADER ON FREEZER DOORS (120 V.) THROUGH DISCONNECT SWITCHES AND GROUND FAULT INTERRUPTER. SWITCHES AND WIRING NOT BY JAMISON.
 - FREEZER DOORS - FROSTSTOP AT FOUR SIDES OF DOOR, STANDARD.
 - OPTIONS:
 - A. SHEET METAL JAMBS TO CLAD WALL 3 SIDES OF OPENING, 26" GA STUCCO EMBOSSED TO MATCH DOOR
 - B. MIRROR IMAGE FRAME
 - C. DOOR SEALED TO MEET M.I.D.
 - D. KICKPLATE, DOOR:
 - ALUMINUM DIAMOND TREAD, 36" TALL
 - ALUMINUM DIAMOND TREAD, 48" TALL
 - ON FRONT
 - ON BACK
 - E. KICKPLATE, FRAME -
 - ALUMINUM DIAMOND TREAD, 36" TALL
 - ALUMINUM DIAMOND TREAD, 48" TALL
 - F. VIEW WINDOWS, SIZE 12" X 14" STD.
 - 2 LAYER (NO HEAT)
 - G. PADLOCKING (SEE SCHEDULE)

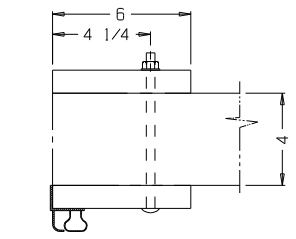
FRONT ELEVATION



HORIZONTAL SECTION



SHEET METAL JAMBS
OPTIONAL



MIRROR IMAGE FRAME
OPTIONAL

| DOOR NO. | QTY | SLIDE | | CLEAR OPENING | | PADLOCKING, FRONT W/SAFETY RELEASE | | TEMPERATURE CONDITIONS | |
|----------|-----|-------|------|---------------|--------|------------------------------------|-----|------------------------|------|
| | | R.H. | L.H. | W.I.C. | H.I.C. | NO | YES | FRONT | BACK |
| | | | | | | | | | |
| | | | | | | | | | |

NO. H4466001B

| | | | | | | |
|--|----------|-------|-------------------------|----------------------------------|----|-------------------|
| SCALE(S) | DATE | DRAWN | JOB NAME | | | |
| CHECKED | APPROVED | TITLE | RETAIL PRO | B 5/23/11 MEM CHANGED "R" VALUES | | |
| JAMISON DOOR COMPANY P. O. BOX 70 HAGERSTOWN, MARYLAND 21741 | | | SINGLE HORIZONTAL SLIDE | DATE | BY | REVISIONS SUBJECT |
| | | | | NO. H4466001B | | |