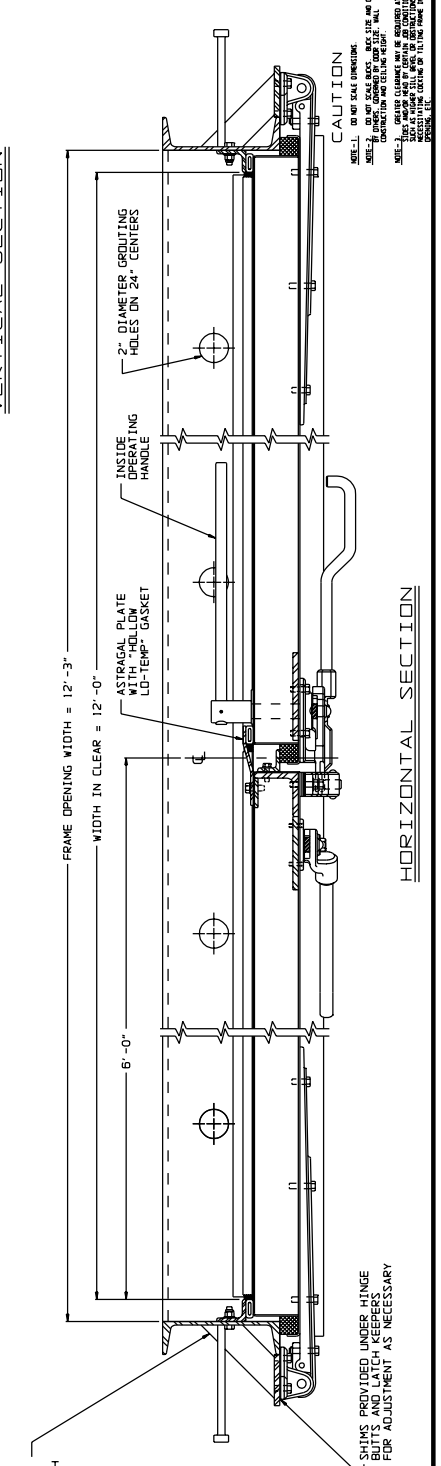
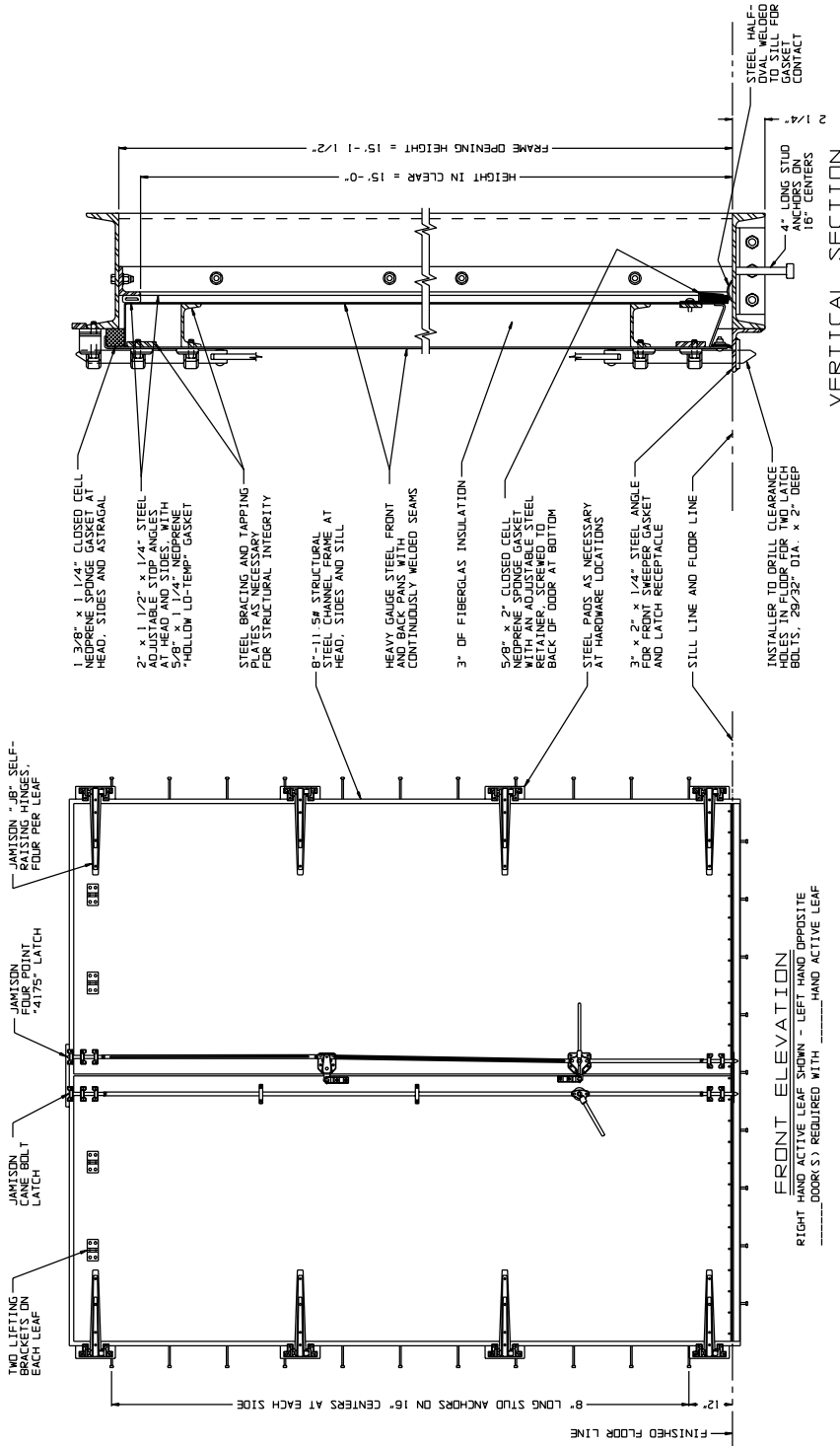


NOTES:

- HARDWARE - CORROSION PROTECTIVE FINISH
 ONE - FOUR POINT INTERCONNECTED "4175" SERIES LATCH WITH FRONT AND BACK OPERATION.
 EIGHT - "JB" SELF-RAISING RIGID HINGE.
 ONE - HANDLE OPERATED INTERCONNECTED CANE BOLT.
 FOUR - LIFTING BRACKETS
 FOUR - ERECTION FEET (NOT SHOWN)
- DOOR AND FRAME (NOT HARDWARE) TO RECEIVE ONE INSPECTED AND THEN DISMANTLED AS NECESSARY FOR SHIPMENT. FIELD RE-ASSEMBLY BY DOOR INSTALLER.
- DOOR AND FRAME TO BE FACTORY ASSEMBLED AND INSPECTED. FINISH PAINTING, BY OTHERS, AT JOB SITE.
- FRAME PROVIDED WITH CLIP ANGLES AT CORNERS FOR FIELD RE-ASSEMBLY. INSTALLER TO SEAL FRAME JOINTS AS NECESSARY TO MEET ACCUSTICAL REQUIREMENTS.
- ALL WELDS FOR DOOR PAN SEAMS AND FOR JOINING PANS TOGETHER TO BE CONTINUOUS. INTERNAL FRAMING AND BRACING TO BE STRUCTURALLY WELDED.
- INSTALLER TO INSTALL FRAME PLUMB, TRUE AND SQUARE, WITHIN A DIAGONAL TOLERANCE OF 3/16".
- HEAD CHANNEL MUST NOT BE USED AS A LINTEL.
- FLOOR LINE IN WAY OF DOOR SWING AREA MUST BE LEVEL WITH OR BELOW DOOR SILL LINE.
- HANDLE DOOR AND FRAME CAREFULLY TO AVOID DAMAGE TO GASKETS.
- STOP ANGLES TO BE PROTECTED WITH CS-5660-23 GASKET GUARDS DURING SHIPMENT.
- INSTALLER TO SET DOOR LEAVES IN PLACE UTILIZING THE LIFTING BRACKETS AND ERECTION FEET PROVIDED. HOLD 1/2" GAP BETWEEN FRONT PANELS OF DOOR. HOLD 1/2" GAP BETWEEN REAR PANELS OF DOOR. USE TWO 1/2" SHIMS UNDER EACH HINGE BUTT. USE TWO 1/2" SHIMS UNDER EACH HINGE BUTT FOR INITIAL SETTING. TIGHTEN BOLTS. REMOVE ERECTION FEET AND CHECK DOOR FOR PROBLEMS AS NECESSARY. ADJUST REAR STOP ANGLES FOR 1/8" GASKET COMPRESSION.



CAUTION
 ITEM 11 - DO NOT SCALE DIMENSIONS.
 ITEM 12 - DO NOT SCALE DIMENSIONS.
 ITEM 13 - DO NOT SCALE DIMENSIONS.
 ITEM 14 - DO NOT SCALE DIMENSIONS.
 ITEM 15 - DO NOT SCALE DIMENSIONS.
 ITEM 16 - DO NOT SCALE DIMENSIONS.
 ITEM 17 - DO NOT SCALE DIMENSIONS.
 ITEM 18 - DO NOT SCALE DIMENSIONS.
 ITEM 19 - DO NOT SCALE DIMENSIONS.
 ITEM 20 - DO NOT SCALE DIMENSIONS.
 ITEM 21 - DO NOT SCALE DIMENSIONS.
 ITEM 22 - DO NOT SCALE DIMENSIONS.
 ITEM 23 - DO NOT SCALE DIMENSIONS.
 ITEM 24 - DO NOT SCALE DIMENSIONS.
 ITEM 25 - DO NOT SCALE DIMENSIONS.
 ITEM 26 - DO NOT SCALE DIMENSIONS.
 ITEM 27 - DO NOT SCALE DIMENSIONS.
 ITEM 28 - DO NOT SCALE DIMENSIONS.
 ITEM 29 - DO NOT SCALE DIMENSIONS.
 ITEM 30 - DO NOT SCALE DIMENSIONS.
 ITEM 31 - DO NOT SCALE DIMENSIONS.
 ITEM 32 - DO NOT SCALE DIMENSIONS.
 ITEM 33 - DO NOT SCALE DIMENSIONS.
 ITEM 34 - DO NOT SCALE DIMENSIONS.
 ITEM 35 - DO NOT SCALE DIMENSIONS.
 ITEM 36 - DO NOT SCALE DIMENSIONS.
 ITEM 37 - DO NOT SCALE DIMENSIONS.
 ITEM 38 - DO NOT SCALE DIMENSIONS.
 ITEM 39 - DO NOT SCALE DIMENSIONS.
 ITEM 40 - DO NOT SCALE DIMENSIONS.
 ITEM 41 - DO NOT SCALE DIMENSIONS.
 ITEM 42 - DO NOT SCALE DIMENSIONS.
 ITEM 43 - DO NOT SCALE DIMENSIONS.
 ITEM 44 - DO NOT SCALE DIMENSIONS.
 ITEM 45 - DO NOT SCALE DIMENSIONS.
 ITEM 46 - DO NOT SCALE DIMENSIONS.
 ITEM 47 - DO NOT SCALE DIMENSIONS.
 ITEM 48 - DO NOT SCALE DIMENSIONS.
 ITEM 49 - DO NOT SCALE DIMENSIONS.
 ITEM 50 - DO NOT SCALE DIMENSIONS.
 ITEM 51 - DO NOT SCALE DIMENSIONS.
 ITEM 52 - DO NOT SCALE DIMENSIONS.
 ITEM 53 - DO NOT SCALE DIMENSIONS.
 ITEM 54 - DO NOT SCALE DIMENSIONS.
 ITEM 55 - DO NOT SCALE DIMENSIONS.
 ITEM 56 - DO NOT SCALE DIMENSIONS.
 ITEM 57 - DO NOT SCALE DIMENSIONS.
 ITEM 58 - DO NOT SCALE DIMENSIONS.
 ITEM 59 - DO NOT SCALE DIMENSIONS.
 ITEM 60 - DO NOT SCALE DIMENSIONS.
 ITEM 61 - DO NOT SCALE DIMENSIONS.
 ITEM 62 - DO NOT SCALE DIMENSIONS.
 ITEM 63 - DO NOT SCALE DIMENSIONS.
 ITEM 64 - DO NOT SCALE DIMENSIONS.
 ITEM 65 - DO NOT SCALE DIMENSIONS.
 ITEM 66 - DO NOT SCALE DIMENSIONS.
 ITEM 67 - DO NOT SCALE DIMENSIONS.
 ITEM 68 - DO NOT SCALE DIMENSIONS.
 ITEM 69 - DO NOT SCALE DIMENSIONS.
 ITEM 70 - DO NOT SCALE DIMENSIONS.
 ITEM 71 - DO NOT SCALE DIMENSIONS.
 ITEM 72 - DO NOT SCALE DIMENSIONS.
 ITEM 73 - DO NOT SCALE DIMENSIONS.
 ITEM 74 - DO NOT SCALE DIMENSIONS.
 ITEM 75 - DO NOT SCALE DIMENSIONS.
 ITEM 76 - DO NOT SCALE DIMENSIONS.
 ITEM 77 - DO NOT SCALE DIMENSIONS.
 ITEM 78 - DO NOT SCALE DIMENSIONS.
 ITEM 79 - DO NOT SCALE DIMENSIONS.
 ITEM 80 - DO NOT SCALE DIMENSIONS.
 ITEM 81 - DO NOT SCALE DIMENSIONS.
 ITEM 82 - DO NOT SCALE DIMENSIONS.
 ITEM 83 - DO NOT SCALE DIMENSIONS.
 ITEM 84 - DO NOT SCALE DIMENSIONS.
 ITEM 85 - DO NOT SCALE DIMENSIONS.
 ITEM 86 - DO NOT SCALE DIMENSIONS.
 ITEM 87 - DO NOT SCALE DIMENSIONS.
 ITEM 88 - DO NOT SCALE DIMENSIONS.
 ITEM 89 - DO NOT SCALE DIMENSIONS.
 ITEM 90 - DO NOT SCALE DIMENSIONS.
 ITEM 91 - DO NOT SCALE DIMENSIONS.
 ITEM 92 - DO NOT SCALE DIMENSIONS.
 ITEM 93 - DO NOT SCALE DIMENSIONS.
 ITEM 94 - DO NOT SCALE DIMENSIONS.
 ITEM 95 - DO NOT SCALE DIMENSIONS.
 ITEM 96 - DO NOT SCALE DIMENSIONS.
 ITEM 97 - DO NOT SCALE DIMENSIONS.
 ITEM 98 - DO NOT SCALE DIMENSIONS.
 ITEM 99 - DO NOT SCALE DIMENSIONS.
 ITEM 100 - DO NOT SCALE DIMENSIONS.

REVISED: 1-74 & 1-116	FOR WORK
DATE	BY
10-05-95	WBN
PROJECT	NO.
JAMISON DOOR (PART)	NO.
DESCRIPTION	NO.
DOUBLE DOOR	NO.

AC-3366-1 (301B)