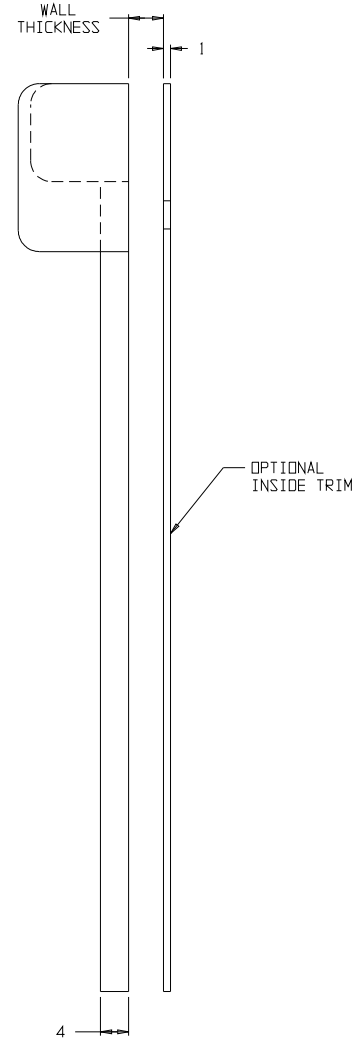
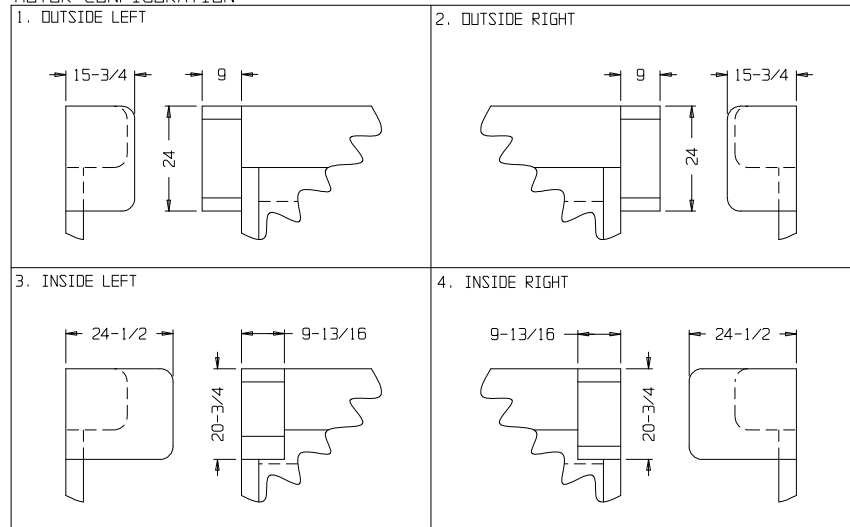


FRONT ELEVATION
OUTSIDE RIGHT MOTOR SHOWN



VERTICAL SECTION

MOTOR CONFIGURATION



DOOR NUMBER	QUANTITY	MOTOR CONFIGURATION	SIZE IN CLEAR		TEMPERATURE CONDITIONS	
			W.I.C.	H.I.C.	FRONT	BACK
-	-	-	-	-	-	-

AUTHORIZED SIGNER _____
DATE _____

NOTES:

- CURTAIN MATERIAL**
DOOR PANEL 35 OZ/SQ YD POLYESTER REINFORCED PVC
COLORS AVAILABLE:
WHITE A-LIKE RAL 9010 _____
WHITE A-LIKE RAL 9010 INSULATED _____
DARK BLUE A-LIKE RAL 5002 _____
DARK BLUE A-LIKE RAL 5002 INSULATED _____
ORANGE A-LIKE RAL 2004 _____
RED A-LIKE RAL 3002 _____
YELLOW A-LIKE 1003 _____
LIGHT GREY A-LIKE 7035 _____
DARK GREY A-LIKE 7037 _____
- FINISH**
HOOD & FRAME:
GALVANIZED _____
STAINLESS STEEL _____
BEARINGS:
GALVANIZED _____
STAINLESS STEEL _____
DRUM:
GALVANIZED _____
STAINLESS STEEL _____
- POWER INFORMATION**
POWER OPERATED DOOR WITH SOFT START, DIGITAL CONTROL, NO LIMIT SWITCHES AND EXCLUSIVE AUTO SETUP WHICH INCLUDES INFRARED SAFETY BEAM AND WIRELESS SAFETY EDGE WITH PUSH BUTTON ON CONTROL PANEL AND OPENING SPEEDS UP TO 100 IN/SEC SIZES DOORS CLOSE AT 24 IN/SEC UP TO 110 SQUARE FEET
SPECIFY VOLTAGE:
208 THREE PHASE 60 HZ _____
230 THREE PHASE 60 HZ _____
460 THREE PHASE 60 HZ _____
- NEMA RATING**
NEMA 1 _____
NEMA 4X STAINLESS STEEL _____
NEMA 4X PLASTIC _____
- CONTROL OPTIONS**
PULL CORD _____ QTY. _____
PUSH BUTTON _____ QTY. _____
MOTION DETECTOR _____ QTY. _____
FLOOR LOOP _____
WIRELESS REVERSING EDGE (UNAVAILABLE WITH UNROLL SENSOR) _____
UNROLL SENSOR (UNAVAILABLE WITH REVERSING EDGE) _____
PROXIMITY SENSOR IN LIEU OF PUSH BUTTON ON CONTROL PANEL _____
RADIO CONTROL _____
- WINDOW TYPES**
STANDARD (1065MM [41.93"] X 280MM [11.02"])
AVAILABLE FOR ALL ROWS AS DOOR HEIGHT PERMITS _____
OVERSIZED (550MM [21.65"] OR 1150MM [45.28"] X 550MM [21.65"])
AVAILABLE FOR ROWS, 1, 3, 5 ONLY, AS DOOR HEIGHT PERMITS _____
SPECIAL (SEE CUSTOMER NOTES) _____
- WINDOW POSITION**
POSITION 1 _____
POSITION 2 _____
POSITION 3 _____
POSITION 4 _____
POSITION 5 _____
SPECIAL (SEE CUSTOMER NOTES) _____
- WINDOW NOTES**
IF THERE IS ONLY ONE (1) COLUMN OF WINDOWS, IT IS CENTERED IN THE DOOR PANEL (DOES NOT APPLY TO T-CUT)
FOR WIC < 900MM [35.4"] WIC, NO WINDOWS AVAILABLE
FOR WIC >= 900MM [35.4"] AND 1500MM [59.1"], (1) OVERSIDED WINDOW
FOR WIC >= 1500MM [59.1] AND 2850MM [112.2"], (1) STANDARD/OVERSIDED WINDOW
FOR WIC >= 2850MM [112.2"] AND 4850MM [190.9"], (2) STANDARD/OVERSIDED WINDOWS
FOR WIC >= 4850MM [190.9"] AND 6000MM [236.2"], (3) STANDARD/OVERSIDED WINDOWS

- PREWIRING**
PREWIRING FROM THE CONTROL PANEL TO DOOR IS CABLING AND NOT IN CONDUIT. CONDUIT NOT SUPPLIED BY JAMISON.
NO PREWIRING _____
STANDARD PREWIRING _____
32 FT EXTENDED PREWIRING _____
- ADDITIONAL OPTIONS**
1" x 6" PVC BOARD, WHITE _____
HEATED FRAME _____
T-CUT PANEL (UNROLL SENSOR USED FOR SAFETY) _____
KNOCK OUT EGRESS _____

CUSTOMER NOTES:

ALL RADII _____ EXCEPT AS NOTED
TOLERANCE ON FRACTIONAL DIMENSIONS _____ EXCEPT AS NOTED
TOLERANCE ON DECIMAL DIMENSIONS _____ EXCEPT AS NOTED

CUSTOMER:		JOB NAME	
SCALE(S): NONE	DATE: XX/XX/XX	DRAWN: XXX	DATE: XXX
CHECKED: _____	APPROVED: _____	TITLE: _____	DATE: _____
JAMISON DOOR COMPANY P. O. BOX 70 HAGERSTOWN, MARYLAND 21741		DYNAMICROLL	

REV.	DATE	BY	REVISIONS	TECH. #
W	11-05-20	JMS	ISSUED DRAWING PERMITTING	CS-2628
V	07-31-20	TCS	REVISED SIDE FRAME AND MOTOR CLEARANCE	CS-2596
LI	05-07-20	BSS	REVISED HEAD AND SIDE FRAME CLEARANCE	CS-2596
T	02-14-18	DTL	ISSUED NEW MOTOR OPTION & REVISIONS	CS-2288
S	02-08-16	JRR	REVISED HEAD BOX, UPDATED WINDOW DIMS	CS-2025
R	01-07-16	JRR	CHANGED BEARING TO P10 FROM G41	CS-2028

NO. H4487001W