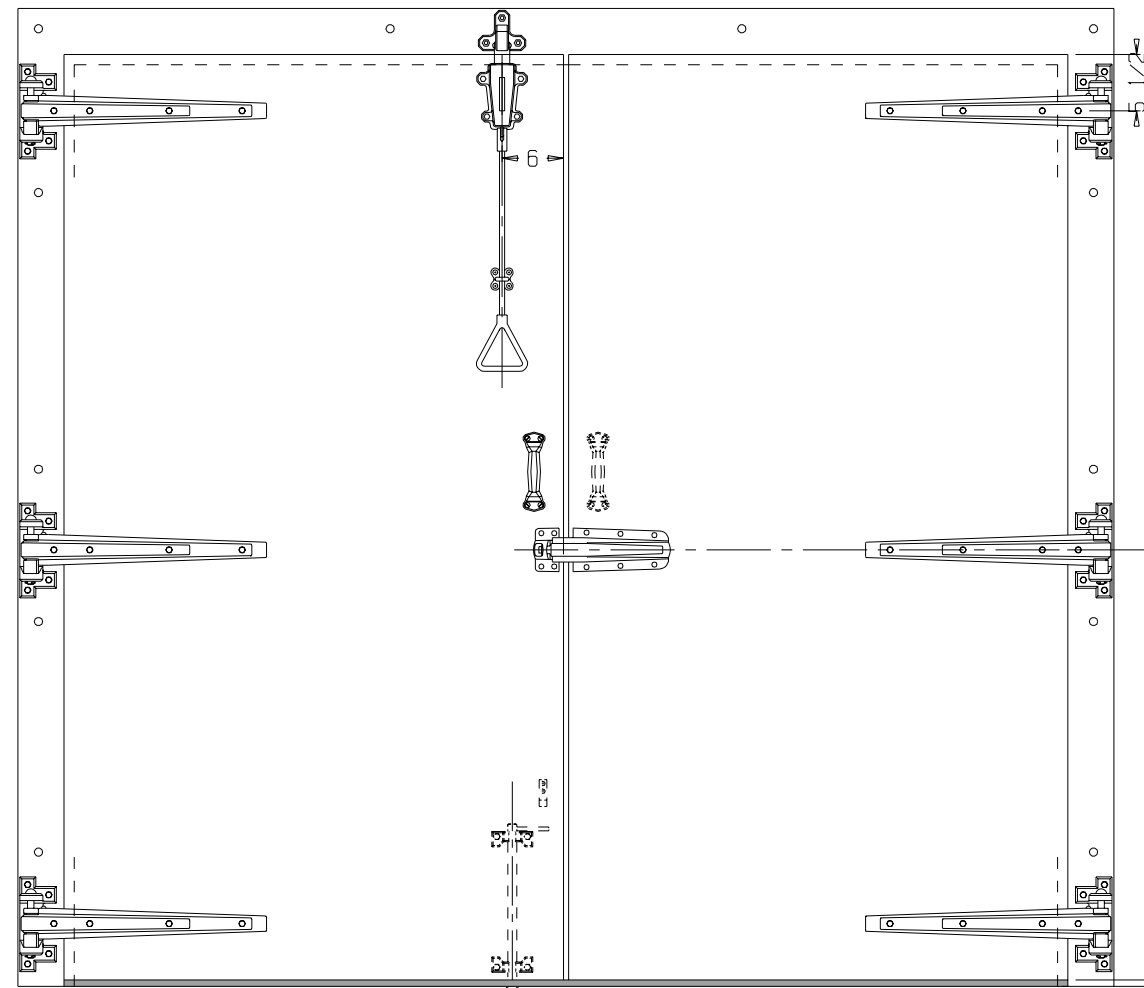


CAUTION

1. DO NOT SCALE DIMENSIONS.
2. DO NOT SCALE BUCKS. BUCK SIZE AND DESIGN BY OTHERS, GOVERNED BY DOOR SIZE, WALL CONSTRUCTION AND CEILING HEIGHT.
3. GREATER CLEARANCE MAY BE REQUIRED AT SIDES AND/OR HEAD BY CERTAIN JOB CONDITIONS SUCH AS HIGHER STILL BEVEL OR OBSTRUCTIONS NECESSITATING COCKING OR TILTING FRAME INTO OPENING, ETC.



FRONT ELEVATION

RIGHT HAND ACTIVE SHOWN - LEFT HAND OPPOSITE

"HOLLOW LO-TEMP" GASKET AT HEAD, SIDES AND ASTRAGAL OF DOOR

BEVELED HEAD

INSULATION, SEE NOTE 1

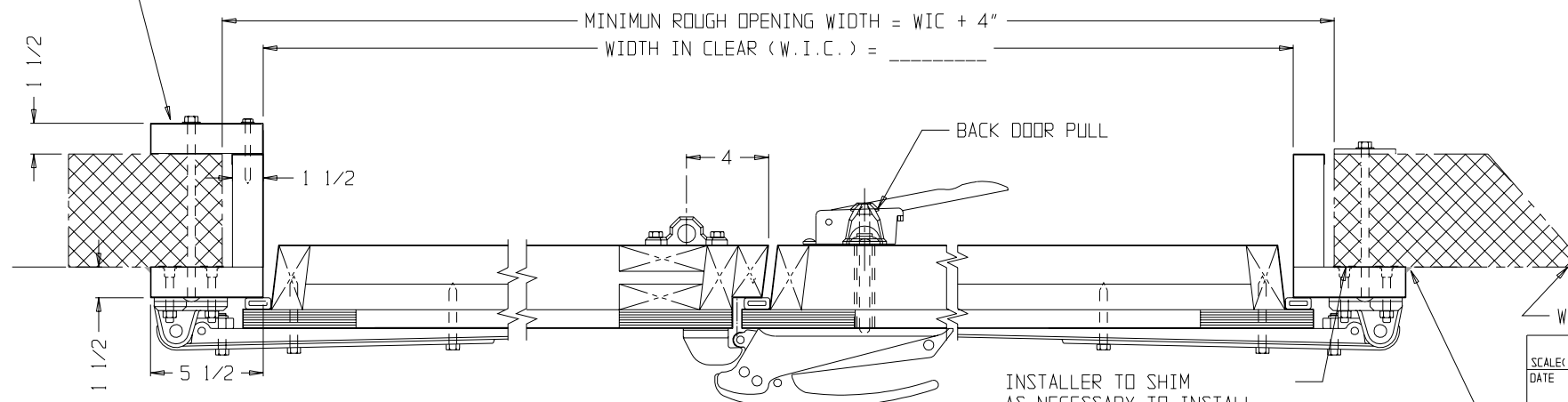
RUBBER SWEEP GASKET AT SILL

INSTALLER TO SET 1-1/16" DIA RECEPTACLE IN FLOOR AFTER DOOR HAS BEEN HUNG AND ADJUSTED. USE BOLT AS TEMPLATE FOR LOCATION

VERTICAL SECTION

FLUSH SILL

OPTIONAL INSIDE TRIM



HORIZONTAL SECTION

INSTALLER TO SHIM AS NECESSARY TO INSTALL FRAME PLUMB, TRUE & SQUARE

INSTALLER TO VAPOR SEAL FRAME WITH CAULKING ALL AROUND

NOTES:

1. DOOR PANEL "JAMIFOAM" POLYURETHANE INSULATED
 R32 @ 20* F 4" INSULATED
 R48 @ 20* F 6" INSULATED
 A. COOLER DOOR 4" STD.
 B. FREEZER DOOR 4" STD.
 C. FREEZER DOOR 6" STD.
 HIGH HEAT INSULATION FOR UP TO 190F
 R23.7 @ 20* F 4" INSULATED
 R39.7 @ 20* F 6" INSULATED
 A. COOLER DOOR 4" STD.
 B. FREEZER DOOR 4" STD.
 C. FREEZER DOOR 6" STD.
 2. DOOR, FRONT AND BACK, TO BE #26 GAUGE GALVANIZED STUCCO PATTERN EMBOSSED STEEL WITH BAKED-ON WHITE ENAMEL FINISH, AS STANDARD. CASING FRAME TO BE PLYWOOD, METAL CLAD ON EXPOSED SURFACES TO MATCH DOOR.
 OPTIONAL:
 A. STAINLESS STEEL
 B. ALUMINUM
 C. PAINTED STEEL - COLOR
 3. EXTERIOR GRADE PLYWOOD CASINGS AND JAMBS OF FRAME TO BE CLAD ON EXPOSED SURFACES WITH #24 GAUGE STAINLESS STEEL FINISH.
 4. HARDWARE - PER DOOR
 SIX - "JB" ADJUSTOFLEX SELF-RAISING HINGES, GALVANIZED FINISH. (THREE PER LEAF)
 ONE - "K-55" SAFETY RELEASE LATCH ON ACTIVE LEAF - GALVANIZED.
 ONE - #220 TOP LATCH (FRONT OF INACTIVE LEAF) WITH OFFSET STRIKE, AH-4099-1D.
 ONE - BOTTOM CANE BOLT (ON BACK OF INACTIVE LEAF) BH-4016-1E.
 5. THREE- LARGE DOOR PULLS (ON BACK OF EACH LEAF AND ON FRONT OF INACTIVE LEAF). BH-4038-1D.
 6. OPTIONS:

	YES	NO
A. JAMBS, 1 1/2" PLYWOOD, CLAD TO MATCH DOOR	<input type="checkbox"/>	<input type="checkbox"/>
SPECIFY WALL THICKNESS _____		
B. INSIDE TRIM, 1 1/2" x 4 1/2" EXTRUDED ALUMINUM WITH BAKED-ON WHITE FINISH	<input type="checkbox"/>	<input type="checkbox"/>
C. INSIDE TRIM, 1 1/2" x 4" PLYWOOD, CLAD TO MATCH DOOR	<input type="checkbox"/>	<input type="checkbox"/>
D. DOOR SEALED TO MEET M.I.D. SPECIFICATIONS	<input type="checkbox"/>	<input type="checkbox"/>
E. KICKPLATE, DOOR FRONT	<input type="checkbox"/>	<input type="checkbox"/>
GAUGE _____ HEIGHT _____		
F. KICKPLATE, DOOR BACK	<input type="checkbox"/>	<input type="checkbox"/>
GAUGE _____ HEIGHT _____		
G. KICKPLATE, FRAME	<input type="checkbox"/>	<input type="checkbox"/>
GAUGE _____ HEIGHT _____		
H. VIEW WINDOW, 12" X 14" LEXAN	<input type="checkbox"/>	<input type="checkbox"/>
QUANTITY OF LAYERS _____		
J. OTHER _____	<input type="checkbox"/>	<input type="checkbox"/>

 7. "FROSTOP"
 "FROSTOP" HEATERS PROVIDED AT HEAD, SIDES AND HIGH SILL IN JAMB AREA OF FRAME. (SEE WIRE DIAGRAM L1999002) A THERMOSTAT IS PROVIDED FOR ENVIRO DOORS.

SCALE(S)	DATE	DRAWN	APPROVED	CHECKED	JOB NAME	MODEL	WATTS	AMPS
						tbid		
JAMISON DOOR COMPANY P. O. BOX 70 HAGERSTOWN, MARYLAND 21741						PLYFOAM I DOUBLE COOLER		NO. J6500260C
REVISIONS						C 12-9-10 DFA DELETED KICKPLATE ON EDGES OF DOOR B 9/16/10 CST ADD ENVIRO CHAMBER A 4/14/10 MEW UPDATED "R" VALUES LTR DATE BY SUBJECT		