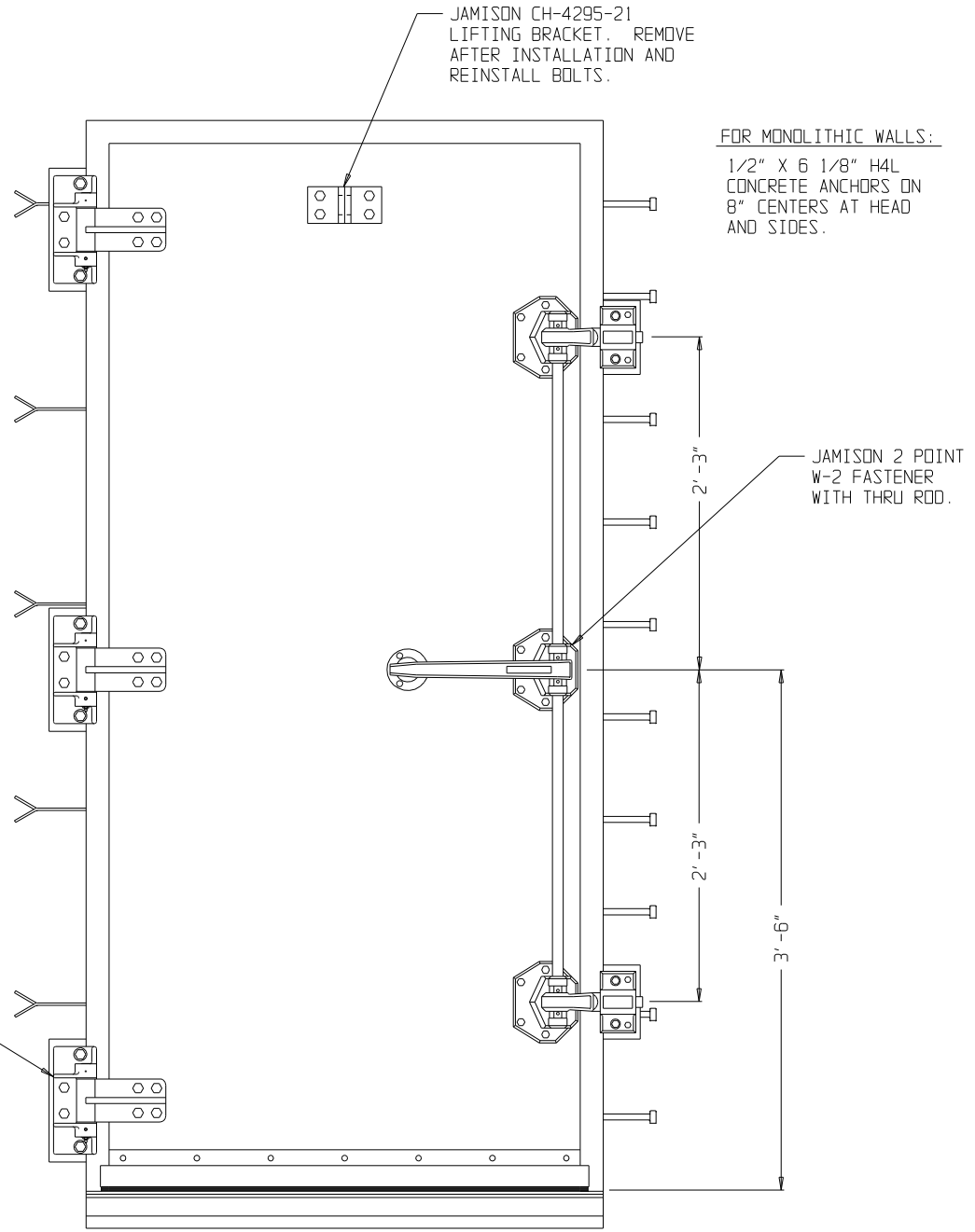
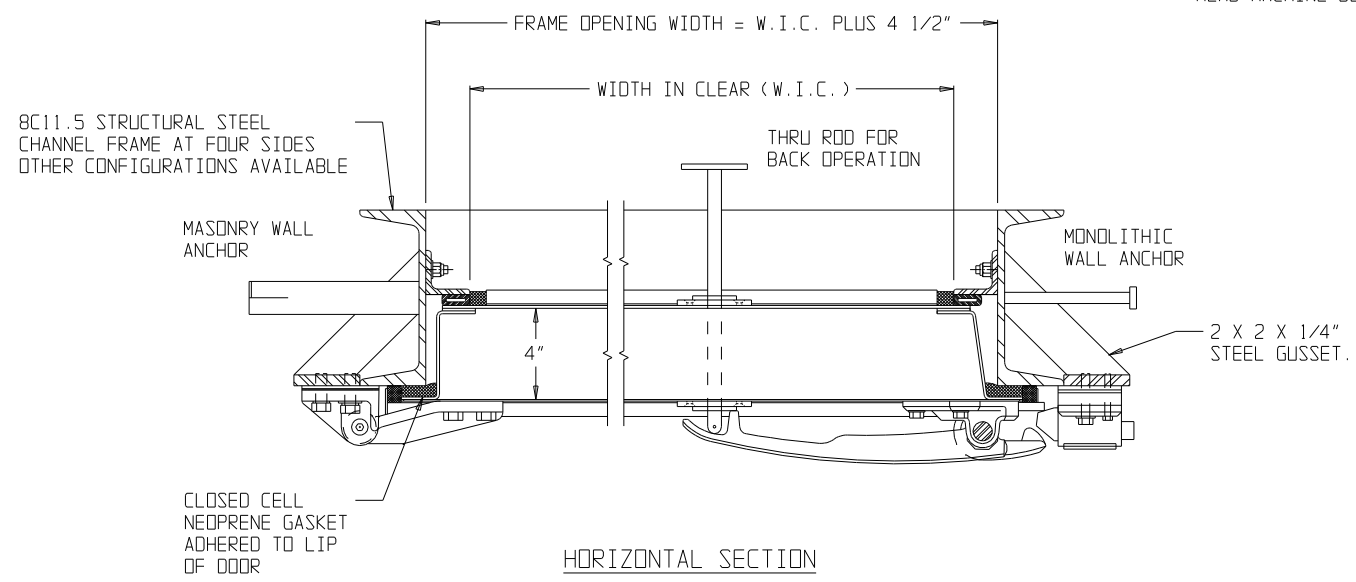


FOR MASONRY WALLS:
 3/16 X 1 1/2 X 8" STEEL ANCHORS, LOCATED ON 16" CENTERS.

FOR MONOLITHIC WALLS:
 1/2" X 6 1/8" H4L CONCRETE ANCHORS ON 8" CENTERS AT HEAD AND SIDES.



FRONT ELEVATION
 LEFT HAND SWING SHOWN - RIGHT HAND SWING OPPOSITE



SCALE(S) NONE		JOB NAME					
DATE	DRAWN	SOUND REDUCTION AND SPECIAL SALES					
6-17-92	W.H.B.						
CHECKED	APPROVED	TITLE	LTR	DATE	BY	SUBJECT	
		STC 53 STANDARD SINGLE PERSONNEL DOOR				REVISIONS	
JAMISON DOOR COMPANY P. O. BOX 70 HAGERSTOWN, MARYLAND 21741				NO. CH-4424-2			