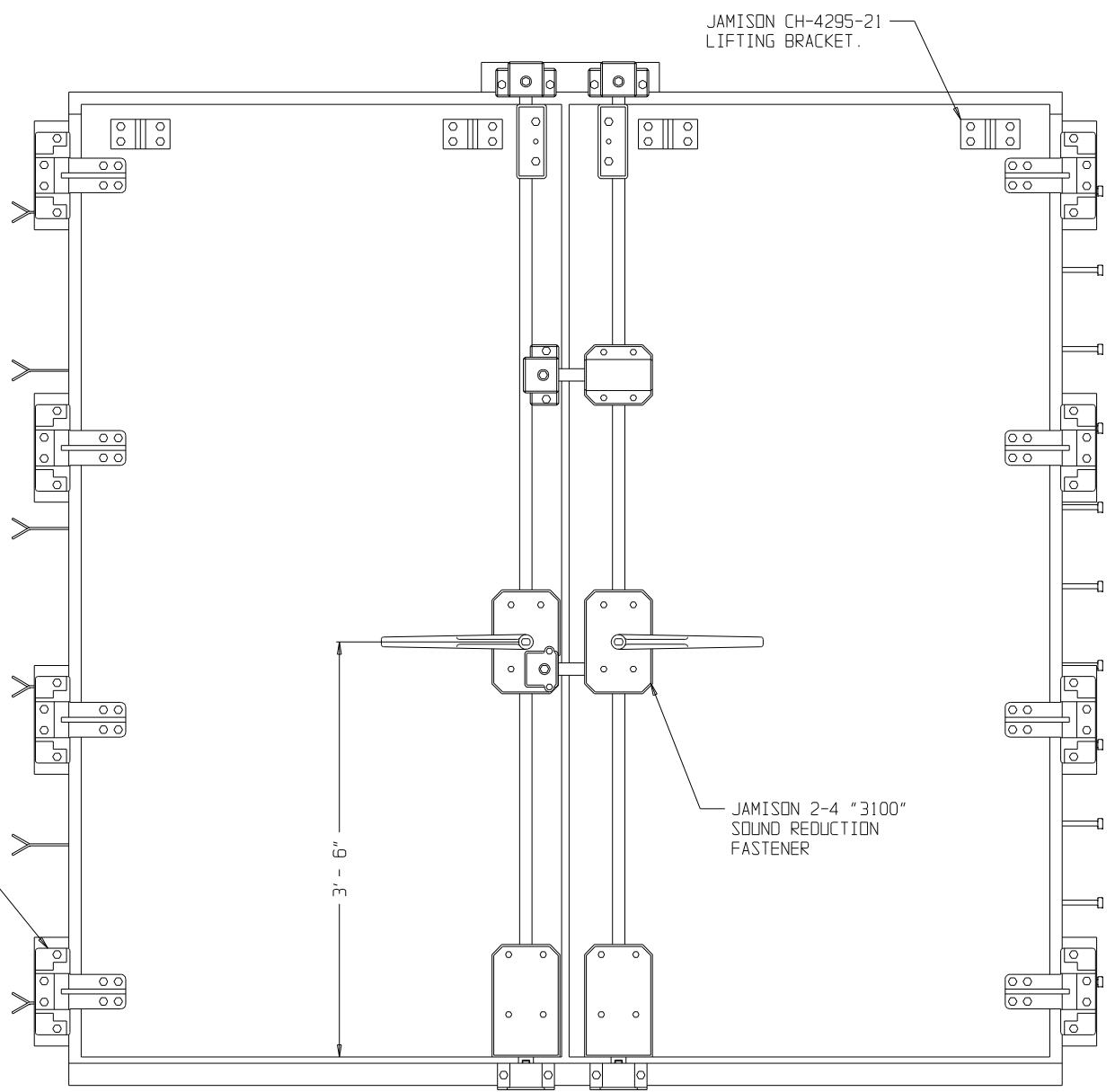


VERTICAL SECTION

FOR MASONRY WALLS:
 3/16 X 1 1/2 X 8"
 STEEL ANCHORS
 LOCATED ON 16"
 CENTERS.

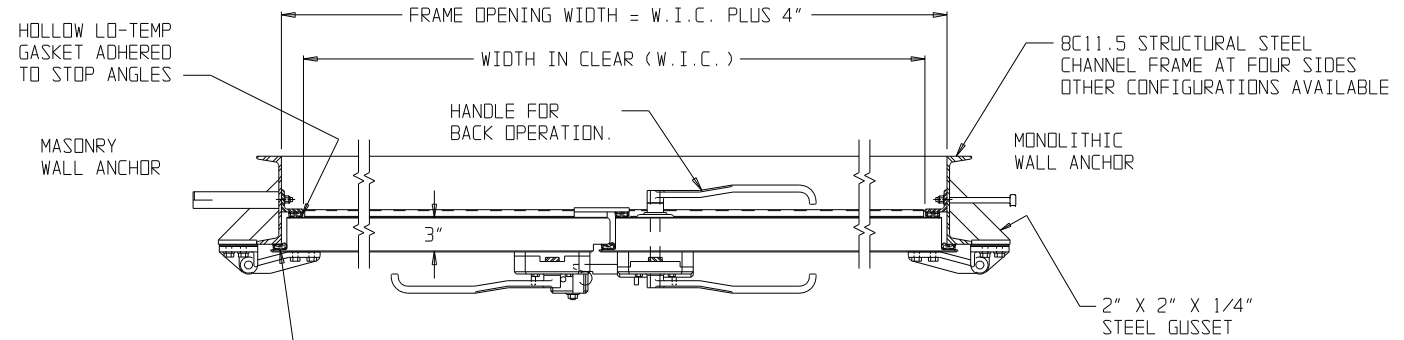
FOR MONOLITHIC WALLS:
 1/2" DIA. X 6 1/8" H4L
 CONCRETE ANCHORS ON 8"
 CENTERS AT HEAD AND
 SIDES

JAMISON FSR HINGE WITH BRONZE THRUST
 BUSHINGS, 4 REQ'D. PER LEAF. HELD
 WITH 1/2-13 NC X 1 1/4" LG. HEX
 HEAD MACHINE BOLTS, 16 PER LEAF.



FRONT ELEVATION

RIGHT HAND ACTIVE LEAF SHOWN - LEFT HAND ACTIVE LEAF OPPOSITE



HORIZONTAL SECTION

| | | | | | |
|--|--|--------------------------------------|---------------|------|----|
| SCALE(S) NONE | JOB NAME SOUND REDUCTION AND SPECIAL SALES | | | | |
| DATE 6-19-92 | DRAWN W.H.B. | | | | |
| CHECKED | APPROVED | TITLE STC 50 DOUBLE SWING DOOR | LTR | DATE | BY |
| JAMISON DOOR COMPANY P. O. BOX 70 HAGERSTOWN, MARYLAND 21741 | | | REVISIONS | | |
| | | | NO. CH-4424-6 | | |