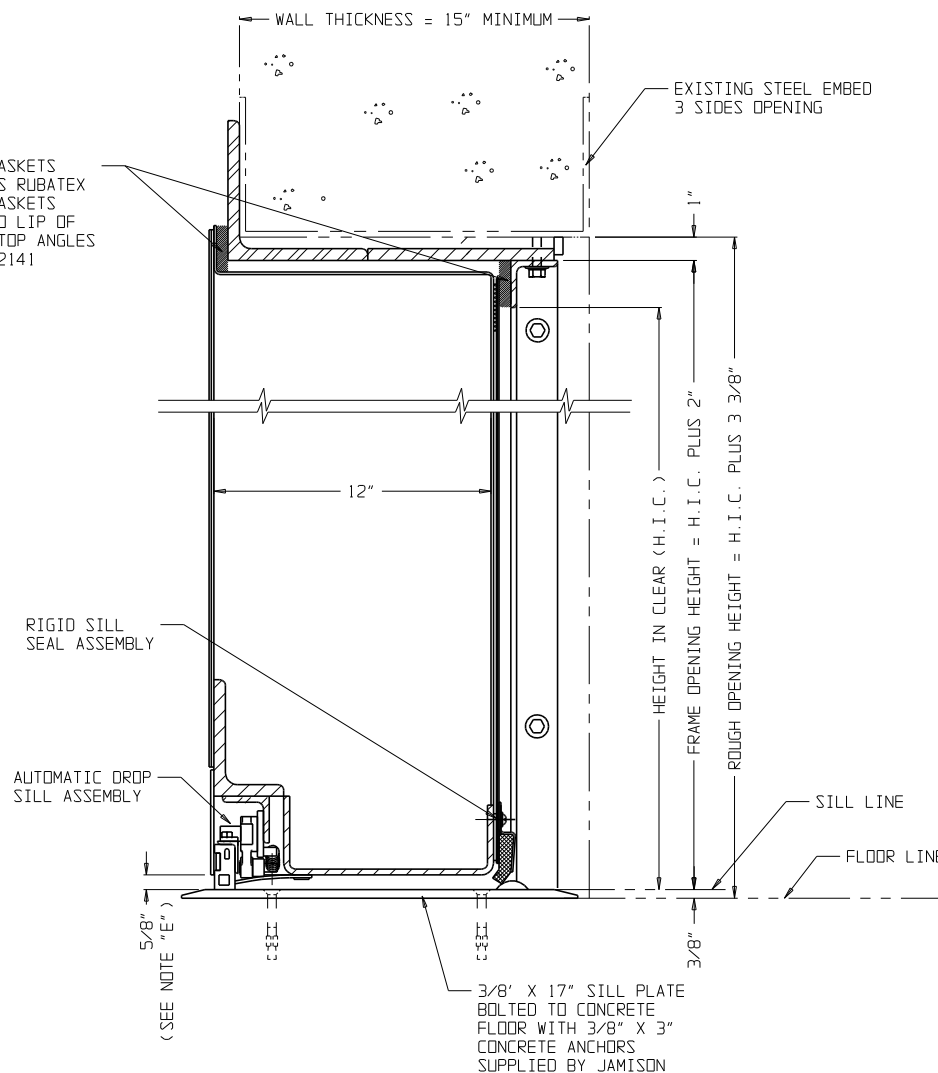


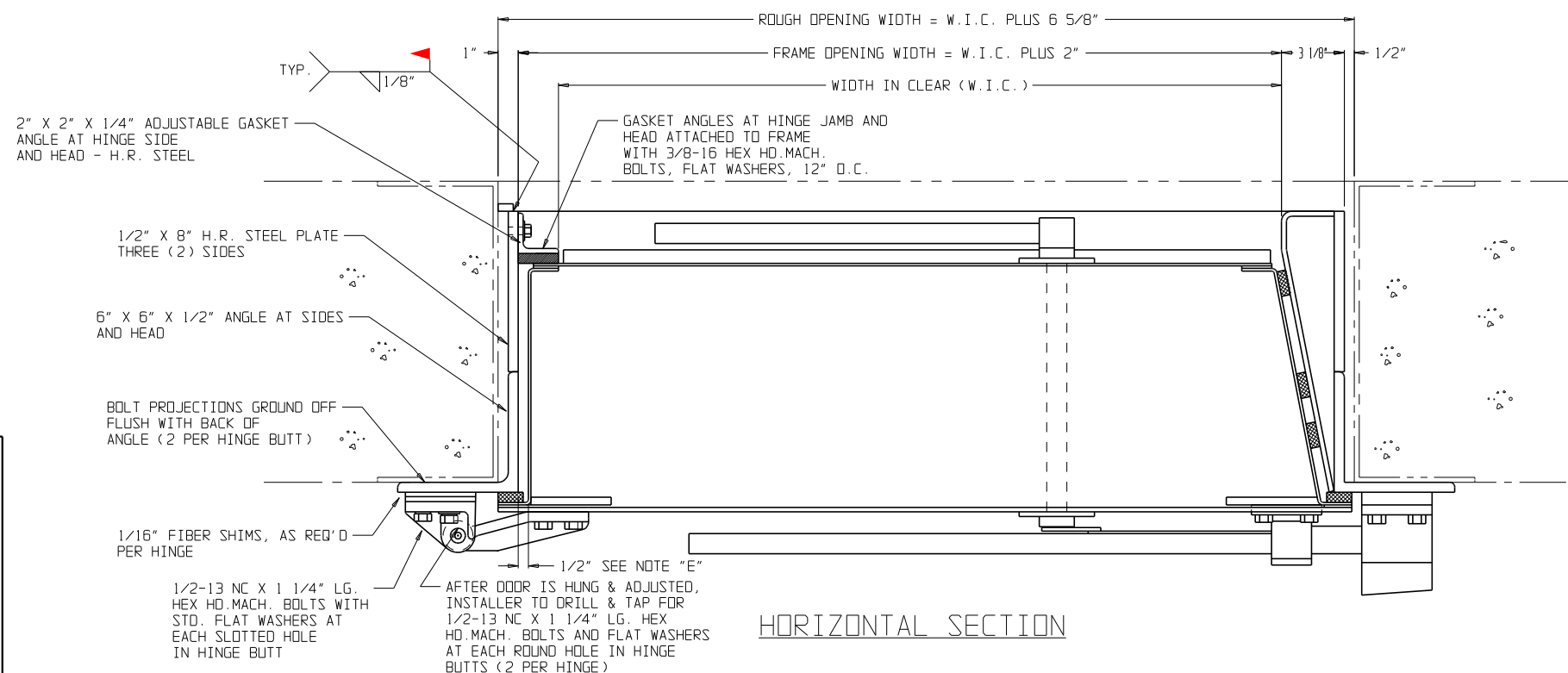
FRONT ELEVATION

L.H. SWING DOOR SHOWN - R.H. SWING DOOR OPPOSITE

NEOPRENE GASKETS AND SPACERS RUBATEX #R-411-N GASKETS CEMENTED TO LIP OF DOOR AND STOP ANGLES WITH 3-M #2141 ADHESIVE



VERTICAL SECTION



HORIZONTAL SECTION

CUSTOMER NOTE
 "These drawings illustrate our understanding of the requirements of your order. We submit them to you for the purpose of securing complete approval of quantities, types, sizes, dimensions, specifications and interpretations. The return of these drawing to us with instructions to proceed, or subsequent instructions to that effect shall constitute complete approval."

NOTES:

INSTALLING CONTRACTOR:

- FRAMES MUST BE INSTALLED PLUMB, TRUE AND SQUARE. DIAGONAL TOLERANCE $\pm 1/16"$
- FLOOR LINE IN WAY OF DOOR SWING AREA MUST BE LEVEL WITH OR BELOW SILL LINE.
- FRAME HEAD MEMBER NOT TO BE USED AS A LINTEL.
- ADJUST GASKET ANGLES FOR 1/8" GASKET COMPRESSION.
- SPACE DOOR IN FRAME USING LIFTING DEVICE HOLDING 5/8" AT SILL AND 1/2" AT HINGE SIDE.

GENERAL:

- STEEL FOR FRAMES MUST BE STRAIGHT AND FREE OF WIND AND TWIST. IF NOT, REJECT BEFORE FABRICATION.
- DOOR AND FRAME TO BE SHIPPED AS A UNIT.
- ALL HARDWARE GALVANIZED FINISH.
- DOOR AND FRAME TO RECEIVE PRIMER COAT OF #360 ZIN-X-10E PRIMER TO A MIN. DRY FILM THICKNESS OF 1.5 MIL. FINISH PAINT NOT BY JAMISON.
- DOOR AND HARDWARE DESIGNED TO WITHSTAND A PRESSURE OF 150 P.S.F. AGAINST FRONT OR BACK.
- ESTIMATED DOOR LEAF WEIGHT = 40 LBS./PER SQ. FT.

NO. H4424027

ALL RAO1 EXCEPT AS NOTED
 TOLERANCE ON FRACTIONAL DIMENSIONS EXCEPT AS NOTED
 TOLERANCE ON DECIMAL DIMENSIONS EXCEPT AS NOTED

SCALE(S)	NONE	JOB NAME	
DATE	5/7/15	DRAWN	MRB
CHECKED		APPROVED	
JAMISON DOOR COMPANY P. O. BOX 70 HAGERSTOWN, MARYLAND 21741		TITLE	SOUND REDUCTION AND SPECIAL SALES
		TITLE	SINGLE SWING STC "59" SOUND REDUCTION DOOR
DATE	BY	REVISIONS	SUBJECT
			NO. H4424027