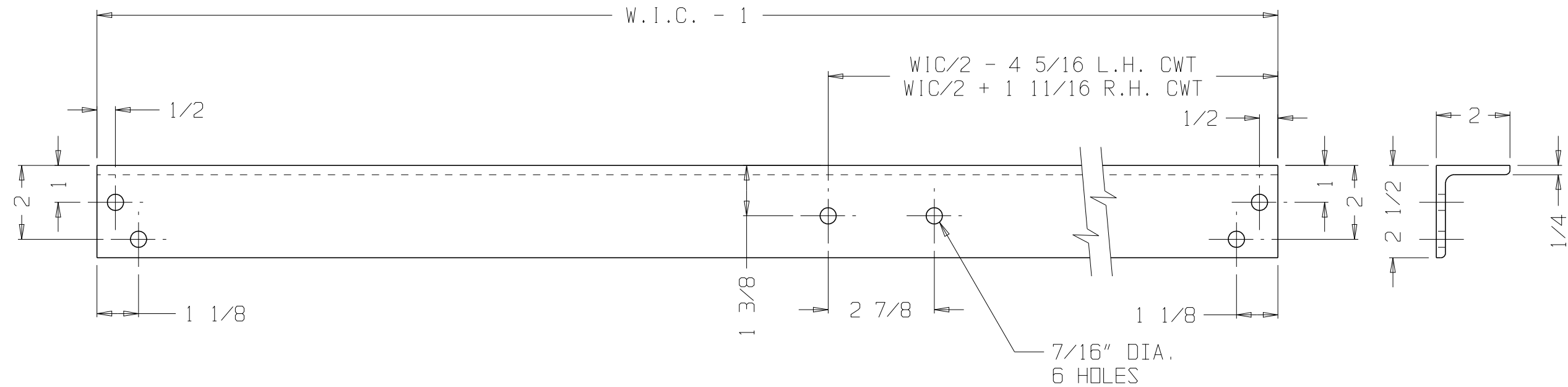


NOTES:

1. PRIME AND PAINT GRAY POLYURETHANE

LIST OF MATERIAL

PC. NO.	MATERIAL	STOCK SIZE	STOCK NUMBER/REMARKS	QUAN.
	ANGLE, H.R.S.	2 1/2 X 2 X 1/4	391042	



(DIMENSIONS ARE IN INCHES)
 UNSPECIFIED TOLERANCES:
 FRACTIONAL ±1/32
 DECIMAL .XX ±.010
 DECIMAL .XXX ±.005
 ANGULAR ±.25°

SCALE(S)	NONE	JOB NAME	
DATE	08-03-20	DRAWN	D.F.A.
CHECKED		APPROVED	
JAMISON DOOR COMPANY P. O. BOX 70 HAGERSTOWN, MARYLAND 21741		TITLE	UPPER SPREADER ANGLE, POWER PACKAGE PASSING DOOR
			ADD W.I.C./2 + 1 11/16 RH CWT CS2742
B	12-30-21	DFA	DEL. L.H. SHOWN R.H. OPPOSITE NOTE
A	09-09-21	DFA	DELETED VALUES FOR 3'-0" WIC
LTR	DATE	BY	SUBJECT
REVISIONS			
NO. H4406601B			