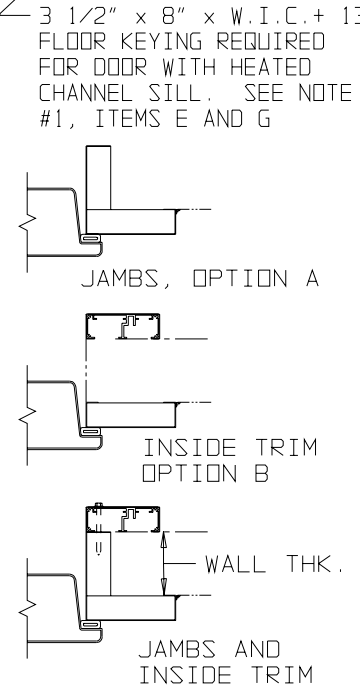
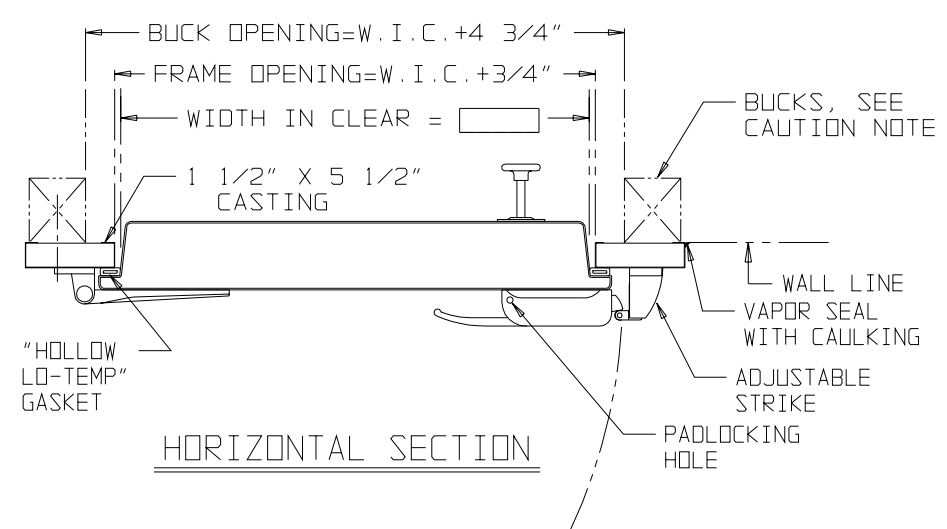
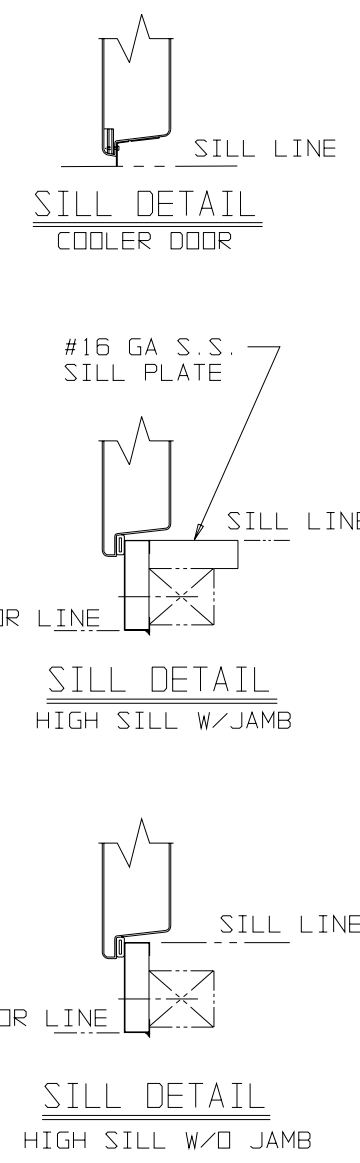
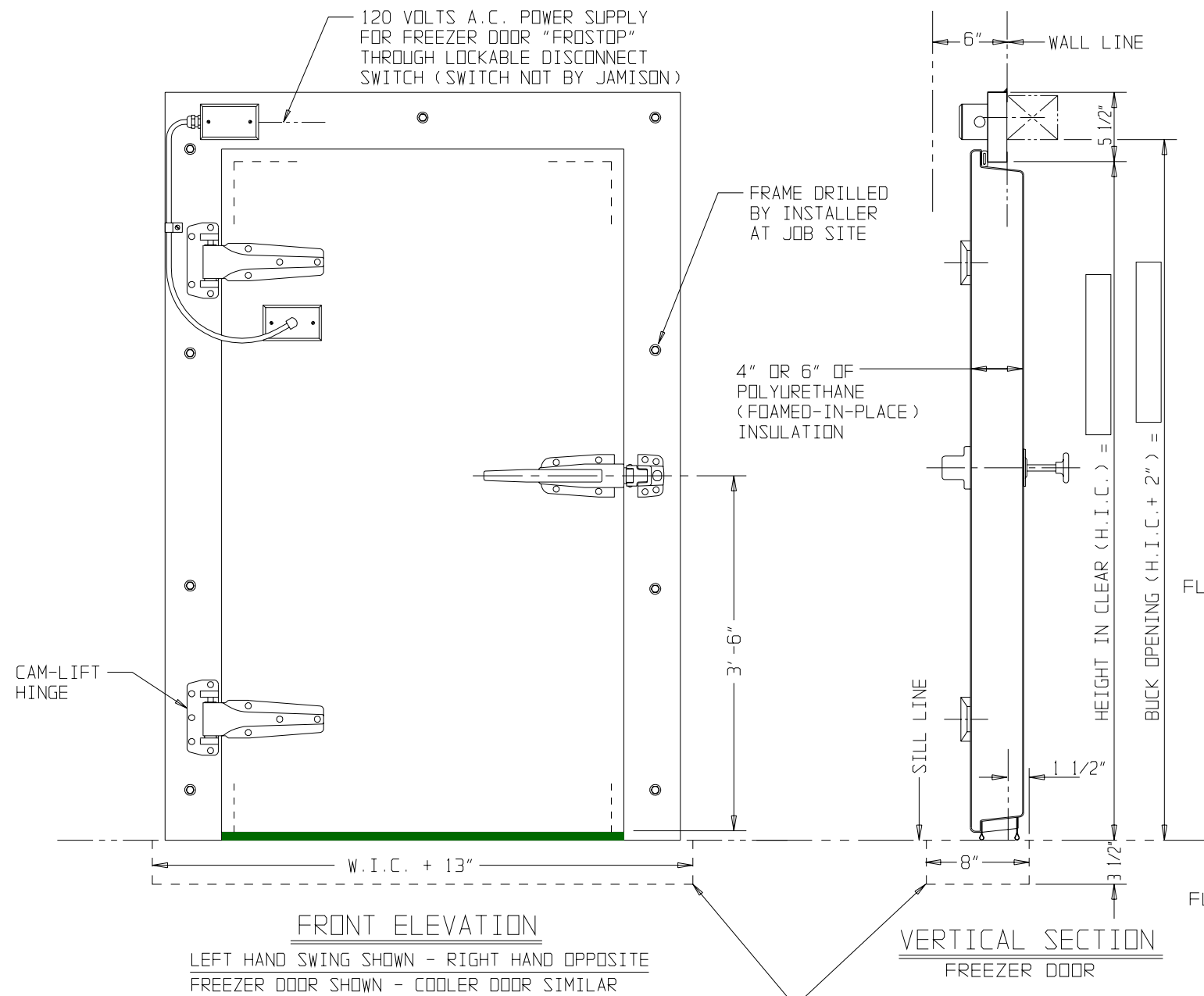


**NOTES:**

1. DOOR PANEL "JAMIFOAM" POLYURETHANE INSULATED  
 R32 @ 20\*F 4" INSULATED  
 R48 @ 20\*F 6" INSULATED  
 A. COOLER DOOR 4" STANDARD "R" VALUE 32   
 B. FREEZER DOOR 4" STANDARD "R" VALUE 32   
 C. FREEZER DOOR 6" STANDARD "R" VALUE 48   
 "FROSTOP" LOCATION FOR FREEZER DOORS  
 D. STANDARD - 3 SIDES OF FRAME AND BOTTOM OF DOOR   
 E. OPTIONAL - 4 SIDES OF FRAME - CHANNEL SILL   
 F. HIGH SILL - 4 SIDES OF FRAME
2. DOOR - MOLDED, GLASS FIBER REINFORCED POLYESTER RESIN:  
 STANDARD COLOR WHITE   
 A. OPTIONAL COLOR
3. FRAME - METAL CLAD WITH #24 GAUGE STAINLESS STEEL, STD.  
 A. GALVANIZED STEEL   
 B. PAINTED STEEL - COLOR
4. HARDWARE: ONE - CHROME PLATED "K56" LATCH, TWO - BRIGHT ANODITE FINISH CAM-LIFT HINGES AND RUBBER TRACK FLAP WITH STAINLESS STEEL RETAINERS FOR 8" X 12" OPENING.  
 A. OTHER
5. WALL FASTENERS: 3/8" X 8" LG. STAINLESS STEEL CARRIAGE BOLTS STANDARD.  
 A. OPTIONAL 3/8" X 4" LG. STAINLESS STEEL LAGS.   
 B. OPTIONAL 3/8" X 10" LG. CARRIAGE BOLTS.   
 C. OPTIONAL 3/8" DIA. THRU. RODS
6. OPTIONS:  
 A. JAMBS - IF CHECKED SPECIFY WALL THICKNESS   
 B. INSIDE TRIM (1 1/2" X 4 1/2" STANDARD)   
 C. DOOR SEALED TO MEET M.I.D. SPECIFICATIONS   
 D. KICKPLATE - DOOR FRONT, IF CHECKED SPECIFY GAUGE & HEIGHT.   
 E. KICKPLATE - DOOR BACK, IF CHECKED SPECIFY GAUGE & HEIGHT.   
 F. KICKPLATE - FRAME FRONT, IF CHECKED SPECIFY GAUGE & HEIGHT.   
 G. VIEW WINDOW - 12" X 14" STANDARD, SPECIFY COOLER 2 LAYERS GLASS OR FREEZER 3 LAYERS GLASS.   
 H. OTHER   
 I. HIGH SILL - SPECIFY COOLER OR FREEZER
7. CLEANING INSTRUCTIONS: DOORS MAY BE CLEANED WITH LIQUID SOAP AND WAX. AVOID ANY HARSH CLEANSERS OR CHEMICAL SOLVENTS.



**CAUTION**  
 NOTE-1. DO NOT SCALE DIMENSIONS.  
 NOTE-2. DO NOT SCALE BUCKS. BUCK SIZE AND DESIGN BY OTHERS, GOVERNED BY DOOR SIZE, WALL CONSTRUCTION AND CEILING HEIGHT.  
 NOTE-3. GREATER CLEARANCE MAY BE REQUIRED AT SIDES AND/OR HEAD BY CERTAIN JOB CONDITIONS SUCH AS HIGHER SILL BEVEL OR OBSTRUCTIONS NECESSITATING LOCKING OR TILTING FRAME INTO OPENING, ETC.

DOOR NUMBER	QUANTITY	SIZE IN CLEAR		SWING		INSULATION		TEMPERATURE CONDITIONS	
		W.I.C.	H.I.C.	L.H.	R.H.	4"	6"	FRONT	BACK

CUSTOMER: \_\_\_\_\_

SCALE(S) NONE	JOB NAME		
DATE	DRAWN		
CHECKED	APPROVED	TITLE	
JAMISON DOOR COMPANY P. O. BOX 70 HAGERSTOWN, MARYLAND 21741		JAMOLITE II DOOR IN METAL CLAD FRAME	NO. H4408046B

REVISIONS

B	12-9-10	DFA	DELETED KICKPLATE ON EDGES OF DOOR
A	4/14/10	MEW	UPDATED "R" VALUES