

JAMOLITE® II

SWINGING DOOR

- Plastic Door in Stainless Steel Clad Casing Frame
- Five-Year Warranty



Right Hand Swing Shown

COOLER DOOR SPECIFICATIONS:

Supply where indicated on plans Jamison Jamolite® II Cooler Door. Door panel to consist of two pans bonded together with polyester resin. Each pan to have an outer layer of polyester plastic with white pigment, balance of pan to consist of glass fibre reinforced polyester plastic. Door panel to have sufficient blocking for hardware attachment.

Door panel to be filled with 4" of non-CFC polyurethane insulation with an R value of 28 at 40° F. Insulation to adhere to the inner and outer pans to achieve maximum unit rigidity.

Casing frame metal clad on all exposed surfaces with #24 gauge stainless steel.

Gasket at sides and head of door lip to be grease resistant synthetic skin with resilient sponge core, sill gasket to be sweep type.

Hardware to consist of chrome plated safety release fastener (permits door to be opened from inside even though padlocked on front) and bright anodite finish cam lift hinges.

FREEZER DOOR SPECIFICATIONS:

Freezer door specifications to be same as cooler door except for these substitutions and additions:

Supply where indicated on plans Jamison Jamolite® II Freezer Door.

Insulation R value is 32 at 40°F.

Casing frame metal clad on all exposed surfaces with #24 gauge stainless steel. Metal cladding shall be applied with all seems soldered and penetrating bolts sealed.

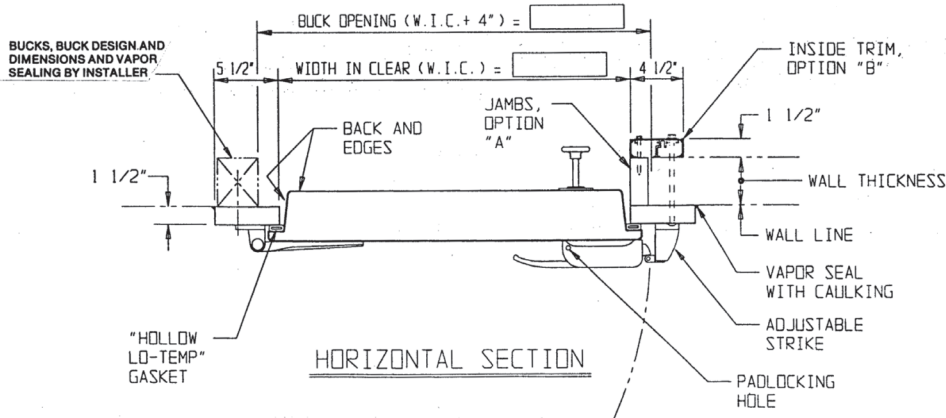
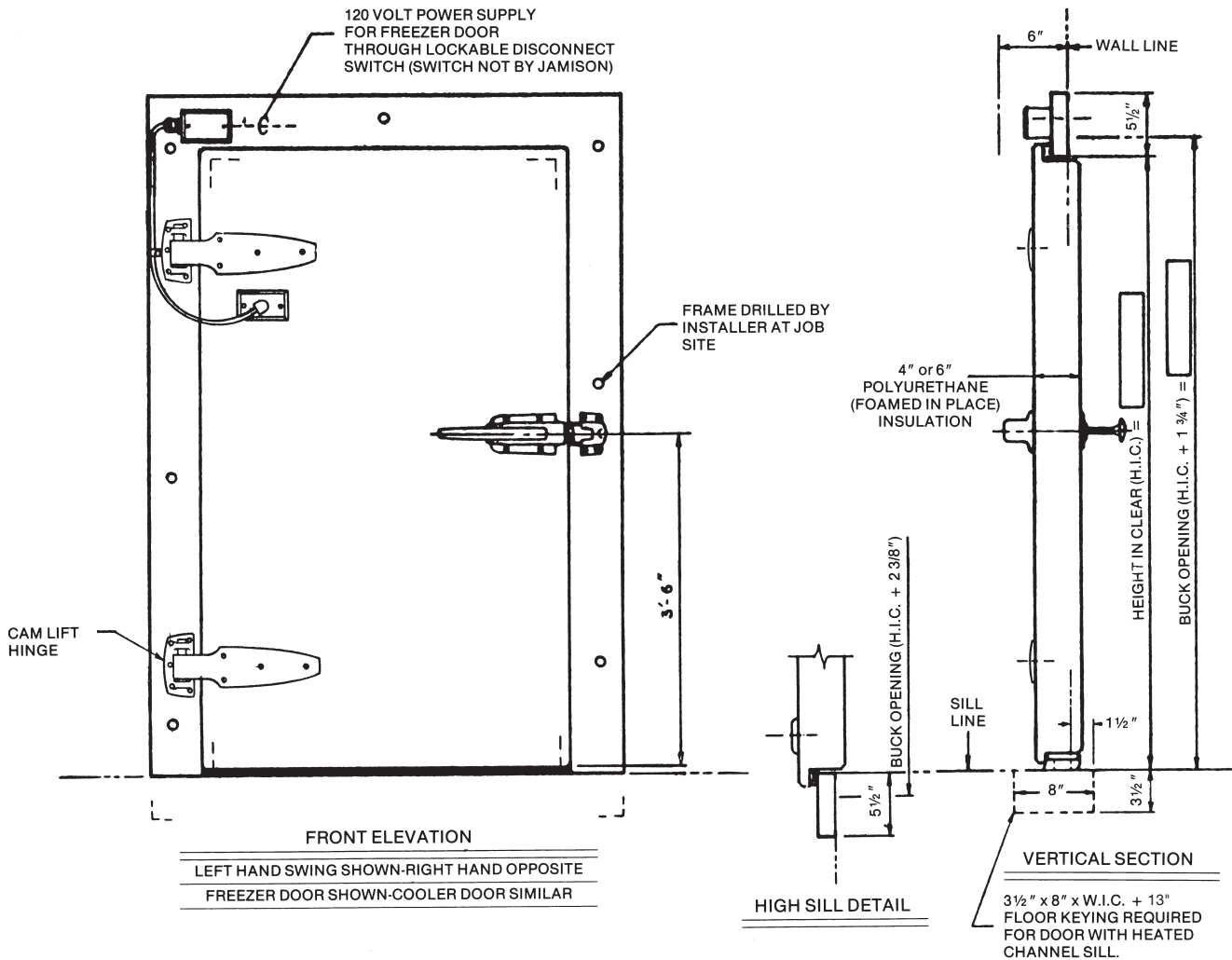
Provide heater cables in the sides and head of the frame and the bottom of the door at gasket contact areas. Heating cable to be assembled, ready for connection to 120 volt, 60 Hertz, single phase AC line.

SPECIAL NOTES:

1. When cold room temperature is below -20°F. or temperature difference is more than 90°F., contact factory.
2. If freezer door must be mounted in freezer room, please contact factory for recommendations.

OPTIONS: (SPECIFY which options are desired)

1. Freezer Door:
 - a. 6" insulation (R value 48).
 - b. Heater cables in sides, head and sill of frame.
2. Colors available – contact factory
3. Metal cladding options:
 - a. Frame – galvanized or painted steel to match door color.
 - b. Kickplates – door and/or frame protected partial height with galvanized or stainless steel or diamond tread (specify finish).
4. Corrosive protected hardware.
5. Door closer – top mounted, painted to match door color or chrome finish cover.
6. If doors to be used in meat processing plants subject to federal and state inspection, metal cladding to be applied per M.I.D. requirements.
7. View Windows: (Contact factory for specific recommendations.) 12" x 14" sealed glass unit.
 - a. Cooler Door – 2 layer, 1" thick.
 - b. Freezer Door – 3 layer, 1" thick with 120 V.A.C. heat film.
8. Jambs – specify wall thickness on plans. (See detail, option "A" on back.)
9. Inside Trim – 1½" by 4½". (See detail, option "B", on back.)
10. Other Designs.
 - a. High sill (note – high sill freezer door has heater cable 4 sides of frame.)
 - b. Track door – frame provided with provisions for meat rail passage.
 - c. Blast Freezer.
11. Chrome plated cam lift hinges.



| STANDARD MOLDED SIZES AVAILABLE | | |
|---------------------------------|-------------------------|-----------------|
| Nominal Door Width in Clear | Width of Casing Opening | Height in Clear |
| 2' 6" | 2' 6 3/4" | 6' 6" |
| 3' 0" | 3' 0 3/4" | 6' 6" or 7' 0" |
| 3' 6" | 3' 6 3/4" | 6' 6" |
| 4' 0" | 4' 0 3/4" | 6' 6" |
| 4' 6" | 4' 6 3/4" | 6' 6" |
| 5' 0" | 5' 0 3/4" | 6' 6" |

INSTALLATION POINTS:

1. Door and frame furnished as a unit, ready to install.
2. Bucks should be installed true, plumb and square and of sufficient size to accommodate door weight.
3. Wood bucks and back of door frame should be painted with a suitable preservative to protect against moisture penetration into wood.
4. All bolts, lags and joints between buck and door frame should be vapor sealed with oil-suspended, nonhardening, waterproof caulking compound or similar material.

SPECIALY ENGINEERED DOORS BY
JAMISON

Jamison Door Company • P.O. Box 70 • Hagerstown, MD 21741-0070
 Call Toll Free • 1-800-532-3667 or 301-733-3100
 FAX: 301-791-7339
 INTERNET: <http://www.jamisondoor.com>
 E-MAIL: contact@jamisondoor.com